

Quick Setting Manual

快速設定手冊

TECO

INVERTER



TECO INVERTER

L510s Series

Chapter 1 Safety Precautions

1.1 Before Power Up

Danger

- Make sure the main circuit connections are correct. Single phase L1(L),L3(N), and Three phase L1(L),L2,L3(N); 400V : L1,L2,L3 are power-input terminals and must not be mistaken for T1,T2 and T3. Otherwise, inverter damage can result.

Caution

- The line voltage applied must comply with the inverter's specified input voltage.(See the nameplate)
- To avoid the front cover from disengaging, or other damage do not carry the inverter by its covers. Support the drive by the heat sink when transporting. Improper handling can damage the inverter or injure personnel and should be avoided.
- To avoid the risk of fire, do not install the inverter on a flammable object. Install on nonflammable objects such as metal.
- If several inverters are placed in the same control panel, provide heat removal means to maintain the temperature below 50 degree C to avoid overheat or fire.
- When disconnecting the remote keypad, turn the power off first to avoid any damage to the keypad or the inverter.

Installation limitation, -10~50°C (cooling fan inside model), -10~40°C (without cooling fan inside model)

Warning

- This product is sold subject to EN 61800-3 and EN 61800-5-1.
In a domestic environment this product may cause radio interference in which case the user may be required to apply corrective measures.

Caution

- Work on the device/system by unqualified personnel or failure to comply with warnings can result in severe personal injury or serious damage to material. Only suitably qualified personnel trained in the setup, installation, commissioning and operation of the product should carry out work on the device/system.
- Only permanently-wired input power connections are allowed.

1.2 During Power Up

Danger

- When the momentary power loss is longer than 2 seconds, the inverter will not have sufficient stored power for its control circuit. Therefore, when the power is re-applied, the run operation of the inverter will be based on the setup of following parameters:
 - Run parameters. 00-02 or 00-03.
 - Direct run on power up. Parameter. 07-04 and the status of external run switch,**Note-**: the start operation will be regardless of the settings for parameters 07-00/07-01/07-02.

Danger. Direct run on power up.

If direct run on power up is enabled and inverter is set to external run with the run FWD/REV switch closed then the inverter will restart.

Danger

Prior to use, ensure that all risks and safety implications are considered.

- When the momentary power loss ride through is selected and the power loss is short, the inverter will have sufficient stored power for its control circuits to function, therefore, when the power is resumed the inverter will automatically restart depending on the setup of parameters 07-00 & 07-01.

1.3 Before Operation

Caution

- Make sure the model and inverter capacity are the same as that set in parameter 13-00.

Note : On power up the supply voltage set in parameter 01-01 will flash on display for 2 seconds.

1.4 During Operation

Danger

- Do not connect or disconnect the motor during operation. Otherwise, It may cause the inverter to trip or damage the unit.

Danger

- To avoid electric shock, do not take the front cover off while power is on.
- The motor will restart automatically after stop when auto-restart function is enabled. In this case, care must be taken while working around the drive and associated equipment .
- The operation of the stop switch is different than that of the emergency stop switch. The stop switch has to be activated to be effective. Emergency stop has to be de-activated to become effective.

Caution

- Do not touch heat radiating components such as heat sinks and brake resistors.
- The inverter can drive the motor from low speed to high speed. Verify the allowable speed ranges of the motor and the associated machinery.
- Note the settings related to the braking unit.
- Risk of electric shock. The DC link capacitors remain charged for five minutes after power has been removed. It is not permissible to open the equipment until 5 minutes after the power has been removed.

Caution

- The Inverter should be used in environments with temperature range from (14-104°F) or (-10 to 40°C) and relative humidity of 95%.

Note: models with fan : -10~50°C , models without fan : -10~40°C

Danger

- Make sure that the power is switched off before disassembling or checking any components.

1.5 Inverter Disposal

Caution

Please dispose of this unit with care as an industrial waste and according to your required local regulations.

- The capacitors of inverter main circuit and printed circuit board are considered as hazardous waste and must not be burnt.
- The Plastic enclosure and parts of the inverter such as the cover board will release harmful gases if burnt.



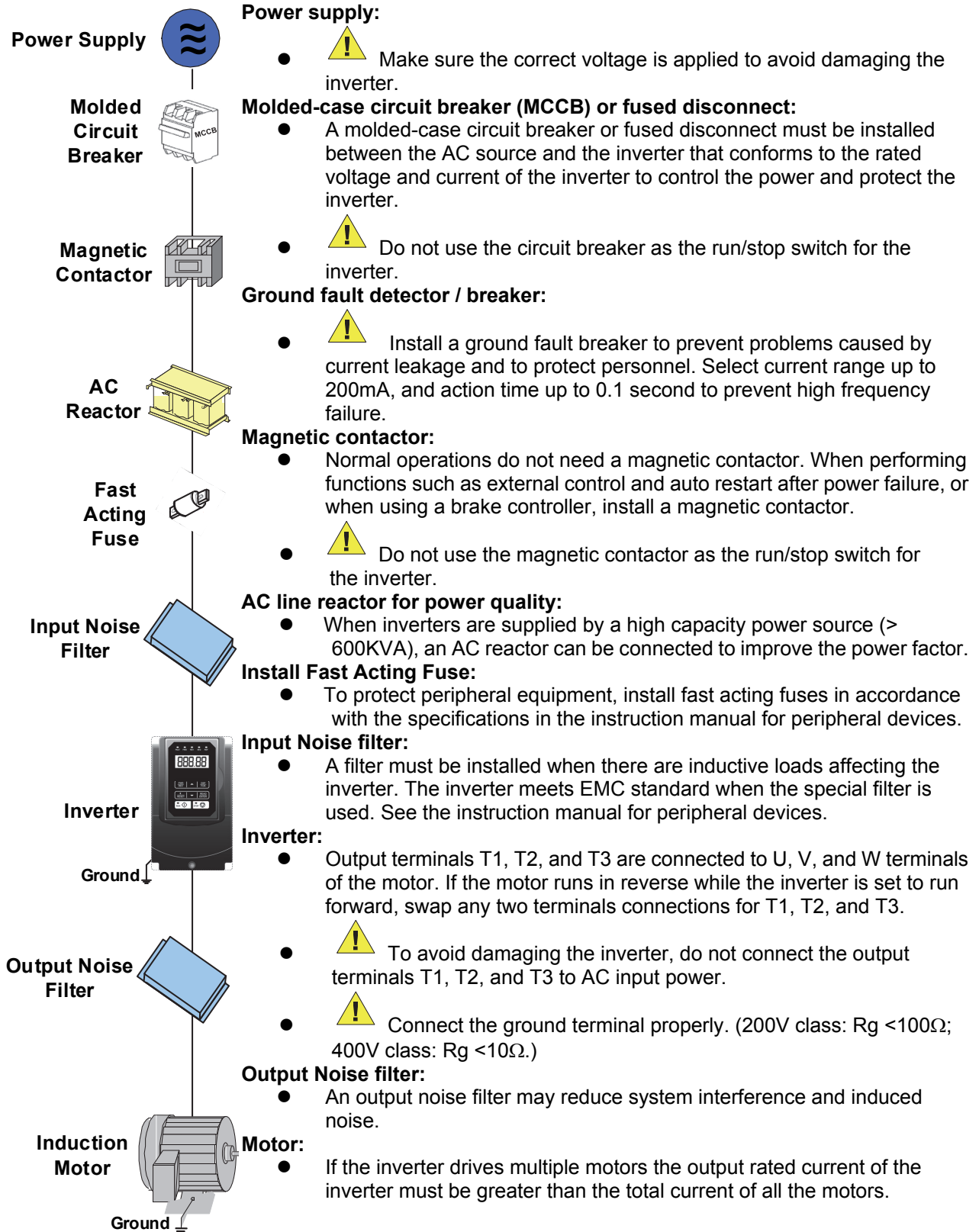
Equipment containing electrical components may not be disposed of together with domestic waste. It must be separately collected with electrical and electronic waste according to local and currently valid legislation.

1.6 Guaranteed Liability Exemption

- Loss of opportunity caused by the company's products, damage to customers of your company or your company, damage to non-company products, or compensation for other businesses, whether within the warranty period or not, is not covered by the company.

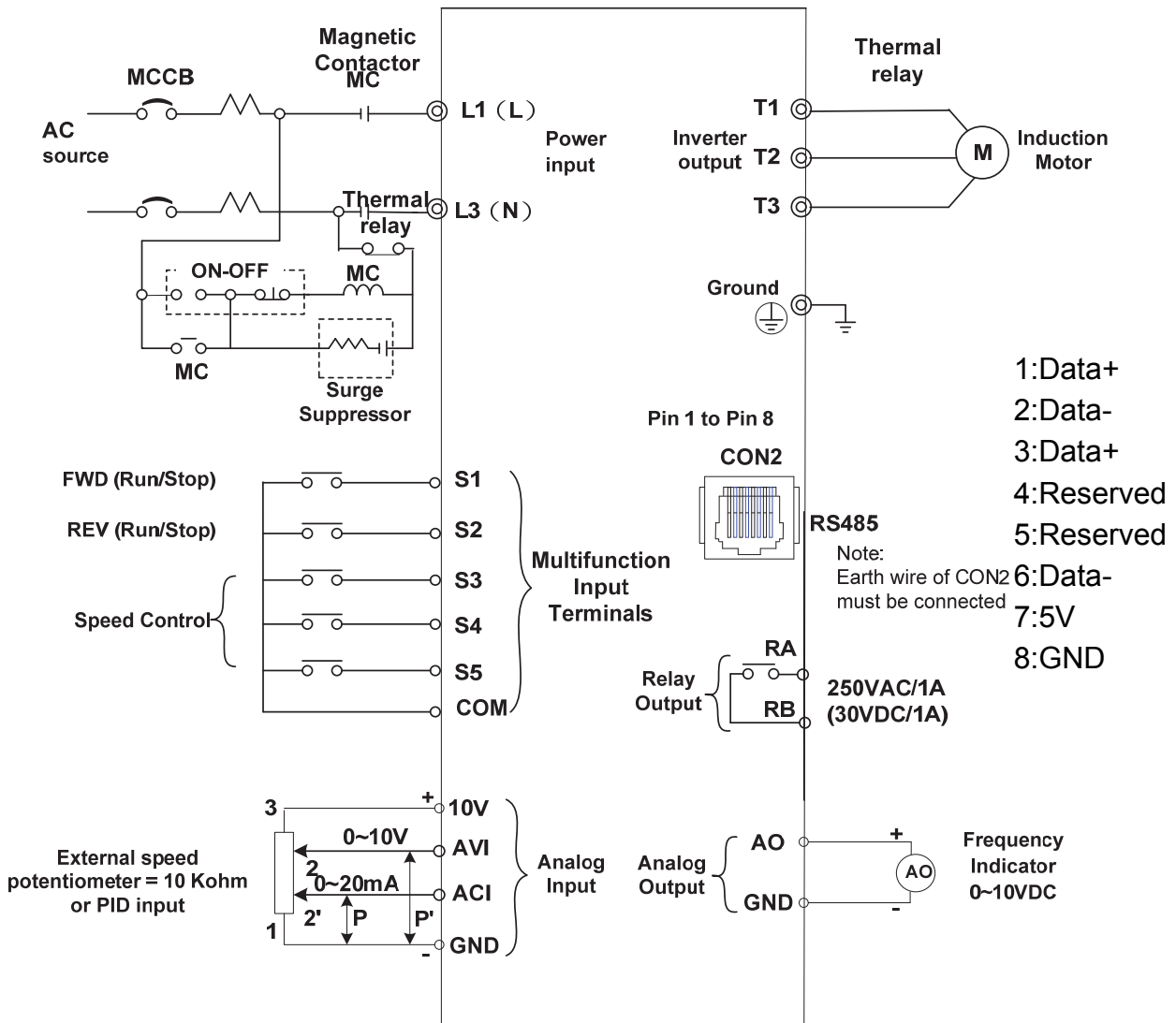
Chapter 2 Environment & Installation

2.1 System Diagram



2.2 Standard wiring

2.2.1 Single phase (NPN) input

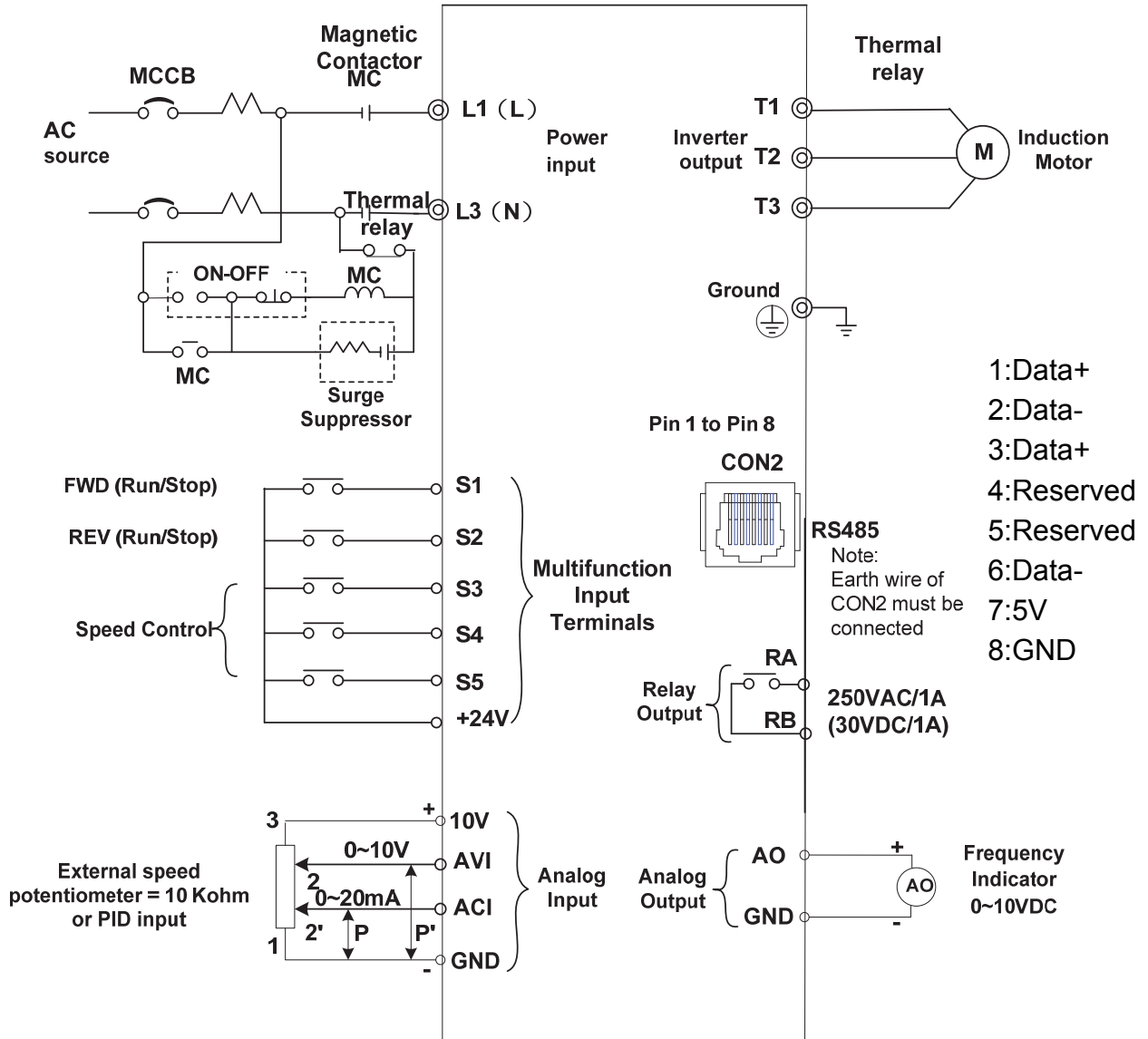


Model:

100V : L510-1P2-SH1-N, L510-1P5-SH1-N, L510-101-SH1-N

200V : L510-2P2-SH1(F)-N, L510-2P5-SH1(F)-N,
 L510-201-SH1(F)-N, L510-202-SH1(F)-N, L510-203-SH1(F)-N

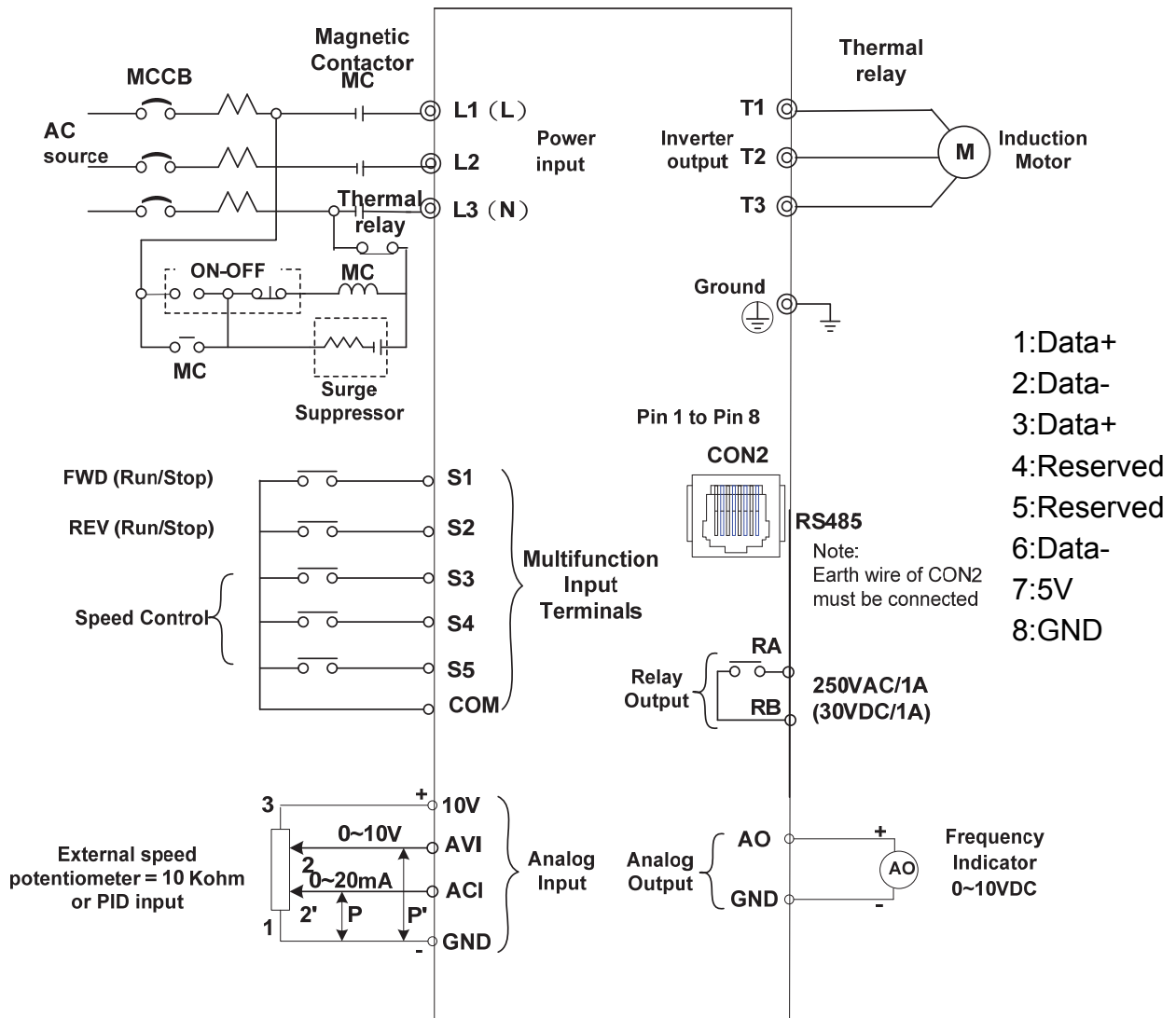
2.2.2 Single phase (PNP) input



Model:

200V : L510-2P2-SH1(F)-P, L510-2P5-SH1(F)-P,
 L510-201-SH1(F)-P, L510-202-SH1(F)-P, L510-203-SH1(F)-P

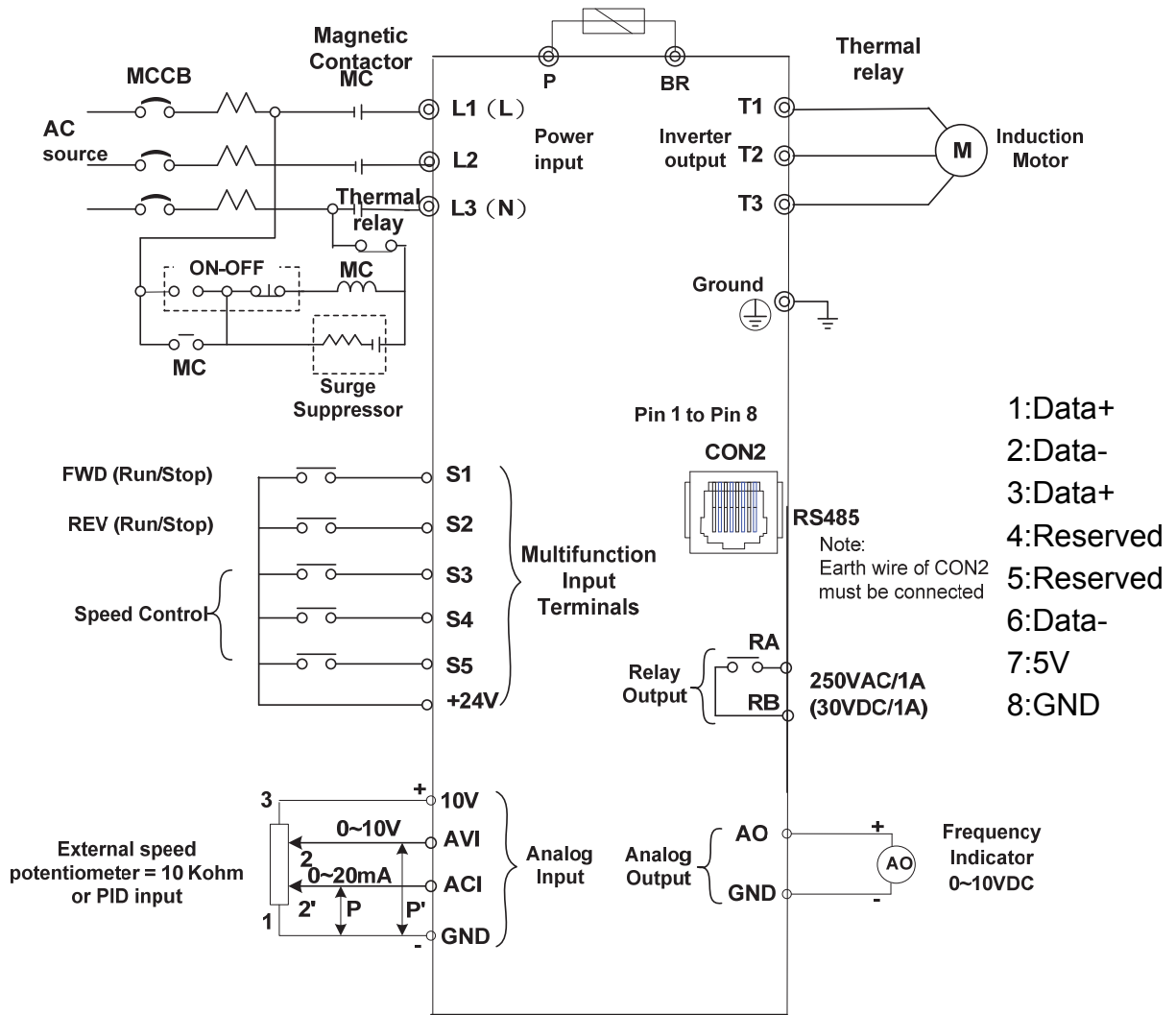
2.2.3 Three phase (NPN) input



Model:

- 200V** : L510-2P2-SH3-N, L510-2P5-SH3-N, L510-201-SH3-N
L510-202-SH3-N, L510-203-SH3-N
- 400V** : L510-401-SH3-N, L510-402-SH3-N, L510-403-SH3-N

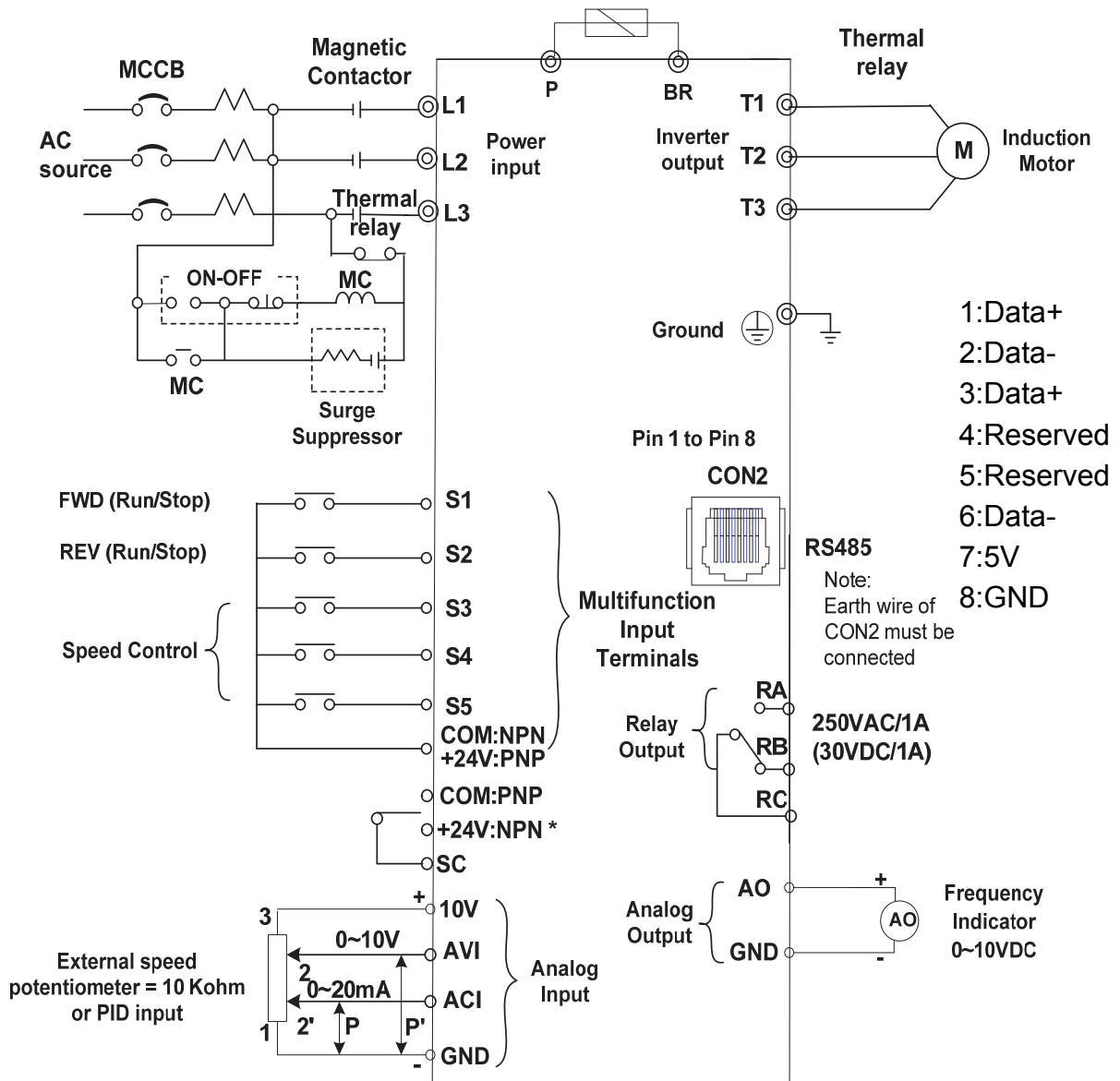
2.2.4 Three phase (PNP) input



Model:

400V : L510-401-SH3(F)-P, L510-402-SH3(F)-P, L510-403-SH3(F)-P

2.2.5 NPN/PNP selectable models



Model:

200V : L510-205-SH3, L510-208-SH3, L510-210-SH3

400V : L510-405-SH3(F), L510-408-SH3(F), L510-410-SH3(F),
L510-415-SH3(F)

NPN/PNP input is selected by "SC" terminal.

If you need to use NPN input, please you shorted +24V and SC terminal.

If you need to use PNP input, please you shorted COM and SC terminal.

Notes : If the SC terminal does not be connected correctly, the functions of group 3 will be malfunctioned.

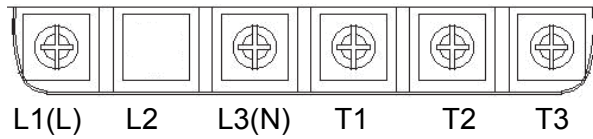
2.3 Terminal Description

2.3.1 Description of main circuit terminals

Terminal symbols	TM1 Function Description
L1(L)	Main power input, single phase: L1(L) / L3(N) three phase(200V): L1(L) / L2 / L3(N) three phase(400V): L1 / L2 / L3
L2	
L3(N)	
P*	externally connected braking resistor
BR*	
T1	Inverter output, connect to U, V, W terminals of motor
T2	
T3	
⊕	Ground terminal

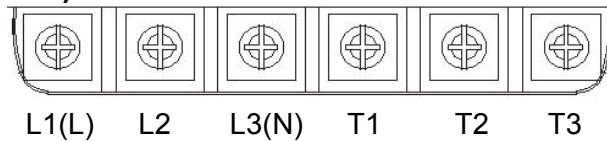
*P, BR for 205/208/210/401/402/403/405/408/410/415 series

Single phase

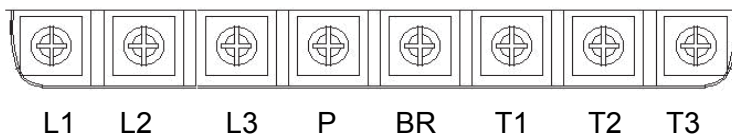


Note: the screw on L2 terminal is removed for the single phase input supply models.

Three phase(200V series)



Three phase (205 & 208 & 210 & 400V series)

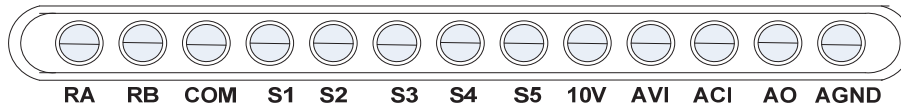


2.3.2 Description of control circuit terminals

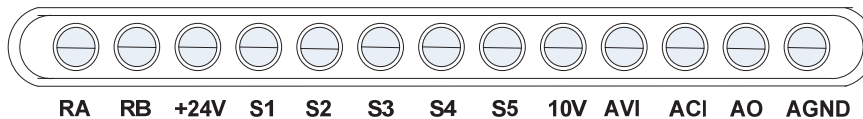
Frame1&Frame2

Terminal symbols	TM2 Function Description	Signal Level
RA	Relay output terminal, Specification: 250VAC/1A(30VDC/1A)	250VAC/1A(30VDC/1A)
RB		
COM	S1~S5 (COMMON) 【NPN】	±15%,Max output current 30mA
24V	S1~S5 (COMMON) 【PNP】	
S1	Multi-function input terminals(refer to group3)	24 VDC, 4.5 mA, Optical coupling isolation (Max,voltage30 Vdc, Input impedance 6kΩ)
S2		
S3		
S4		
S5		
10V	Built in Power for an external speed potentiometer	10V,(Max current:20mA)
AVI	Analog voltage input, Specification : 0/2~10VDC (choose by parameter 04-00)	0~10V(Input impedance 200kΩ)
ACI	Analog current input, Specification : 0/4~20mA (choose by parameter 04-00)	0~20mA(Input impedance 249Ω)
AO	Multi-function analog output terminal. Maximum output 10VDC/1mA	0~10V(Max current 2mA)
AGND	Analog ground terminal	

NPN:



PNP:

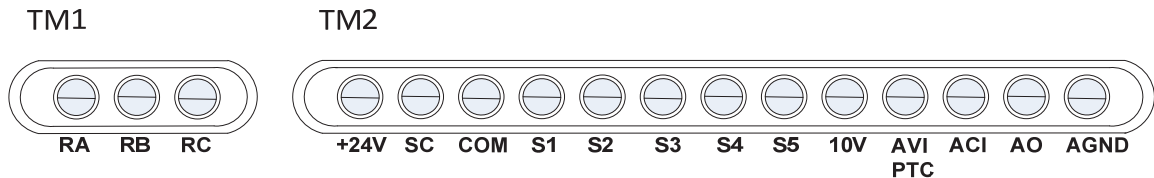


Frame3&Frame4

Terminal symbols	TM1 Function Description
RA	Relay output terminal, Specification: 250VAC/5A(30VDC/5A) RA: Normally open RB: Normally close RC: common point
RB	
RC	

Terminal symbols	TM2 Function Description	Signal Level
+24V	Common point of PNP input	±15%,Max output current 30mA
SC	NPN/PNP selectable terminal. NPN input: +24V&SC need to be shorted. PNP input: COM&SC need to be shorted.	
COM	voltage reference point for S1~S5	
S1~S5	Multi-function input terminals(refer to group3)	24 VDC, 4.5 mA, Optical coupling isolation (Max,voltage30 Vdc, Input impedance 6kΩ)
10V	Built in Power for an external speed potentiometer (Max output : 20mA)	10V,(Max current:20mA)
AVI/PTC	Analog voltage input/motor over temperature protection signal input, Specification : 0~10VDC	0~10V(Input impedance 200kΩ)
ACI	Analog current input, Specification : 0~20mA / 4~20mA(choose by parameter 04-00)	0~20mA(Input impedance 249Ω)
AO	Multi-function analog output terminal. Maximum output 10VDC/1mA	0~10V(Max current 2mA)
AGND	Analog ground terminal	

NPN/PNP:



Chapter 3 Software Index

3.1 Programmable Parameter Groups

Parameter Group No.	Description
Group 00	Basic parameters
Group 01	V/F Pattern selections & setup
Group 02	Motor parameters
Group 03	Multi-function digital Inputs/Outputs
Group 04	Analog signal inputs/ Analog output
Group 05	Preset Frequency Selections.
Group 06	Auto Run(Auto Sequencer) function
Group 07	Start/Stop command setup
Group 08	Drive and motor Protection
Group 09	Communication function setup
Group 10	PID function setup
Group 11	Performance control functions
Group 12	Digital Display & Monitor functions
Group 13	Inspection & Maintenance function
Group 14	PUMP Application Function

Parameter notes for Parameter Groups		
*1	Parameter can be adjusted during running mode	◇ : Revised in version 07
*2	Cannot be modified in communication mode	
*3	Does not change with factory reset	
*4	Read only	

Group 00- The basic parameters group				
No.	Description	Range	Factory Setting	Note
00-00	control mode	0: V/F mode 1: SLV mode	0	
00-01	Motor rotation	0: Forward 1: Reverse	0	*1
00-02	Main Run Source Selection	0: Keypad 1: External Run/Stop Control 2: Communication	1	
00-03	Alternative Run Source Selection	0: Keypad 1: External Run/Stop Control 2: Communication	0	
00-04	Operation modes for external terminals	0: Forward/Stop-Reverse/Stop 1: Run/Stop-Reverse/Forward 2: 3-Wire Control Mode-Run/Stop 3: 2-Wire self-holding Run/Stop	0	◇
00-05	Main Frequency Source Selection	0: Keypad 1: Potentiometer on Keypad 2: External AVI Analog Signal Input 3: External ACI Analog Signal Input 4: External Up/Down Frequency Control 5: Communication setting Frequency 6: PID output frequency	2	
00-06	Alternative Frequency Source Selection	0: Keypad 1: Potentiometer on Keypad 2: External AVI Analog Signal Input 3: External ACI Analog Signal Input 4: External Up/Down Frequency Control 5: Communication setting Frequency 6: PID output frequency.	0	
00-07	Main and Alternative Frequency Command modes	0: Main Or Alternative Frequency 1: Main frequency + Alternative Frequency	0	

Group 00- The basic parameters group				
No.	Description	Range	Factory Setting	Note
00-08	Communication Frequency Command	0.00~599.00		*4
00-09	Frequency command Save mode (Communication mode)	0: Save the frequency before power down 1: Save the communication frequency	0	
00-10	Initial Frequency Selection (keypad mode)	0: by Current Frequency Command 1: by 0 Frequency Command 2: by 00-11	0	
00-11	Initial Frequency Keypad mode	0.00~599.00	50.00/ 60.00	
00-12	Frequency Upper Limit	0.01~599.00	50.00/ 60.00	
00-13	Frequency Lower Limit	0.00~598.99	0.00	
00-14	Acceleration Time 1	0.1~3600.0	10.0	*1
00-15	Deceleration Time 1	0.1~3600.0	10.0	*1
00-16	Acceleration Time 2	0.1~3600.0	10.0	*1
00-17	Deceleration Time 2	0.1~3600.0	10.0	*1
00-18	Jog Frequency	1.00~25.00	2.00	*1
00-19	Jog Acceleration Time	0.1~25.5	0.5	*1
00-20	Jog Deceleration Time	0.1~25.5	0.5	*1
00-21	Application Field Selection	0: Disable 3: Constant Pressure Application	0	◇

Group 01- V/F Pattern selection & Setup				
No.	Description	Range	Factory Setting	Note
01-00	Volts/Hz Patterns	1~7	1/4	
01-01	V/F Max voltage	200V:170.0~264.0 400V:323.0~528.0	Based on 13-08	
01-02	Max Frequency	0.2 ~ 599.00	50.00/ 60.00	

Group 01- V/F Pattern selection & Setup				
No.	Description	Range	Factory Setting	Note
01-03	Max Frequency Voltage Ratio	0.0 ~ 100.0	100.0	
01-04	Mid Frequency 2	0.1 ~ 599.00	2.50/3.00	
01-05	Mid Frequency Voltage Ratio 2	0.0 ~ 100.0	7.5/6.8	◇
01-06	Mid Frequency 1	0.1 ~ 599.00	2.50/3.00	
01-07	Mid Frequency Voltage Ratio 1	0.0 ~ 100.0	7.5/6.8	◇
01-08	Min Frequency	0.1 ~ 599.00	1.30/1.50	
01-09	Min Frequency Voltage Ratio	0.0 ~ 100.0	4.5/3.4	◇
01-10	Volts/Hz Curve Modification (Torque Boost)	0 ~ 10.0	0.0	*1
01-11	V/F start Frequency	0.00~10.00	0.00	
01-12	No-load oscillation suppression gain	0.0~200.0	0	
01-13	Motor Hunting Prevention Coefficient	1~8192	800	
01-14	Motor Hunting Prevention Gain	0~100	0	◇
01-15	Motor Hunting Prevention Limit	0~100.0	5.0	
01-16	Auto-Torque Compensation Filter Coefficient	0.1~1000.0	0.1	
01-17	Auto-torque Compensation Gain	0~100	0	
01-18	Auto-torque Compensation Frequency	1.30~5.00	2	

Group 02- Motor parameters				
No.	Description	Range	Factory Setting	Note
02-00	Motor No Load Current	----	by motor nameplate	
02-01	Motor Rated Current (OL1)	----	by motor nameplate	
02-02	V/F Slip Compensation	0.0 ~ 100.0	0.0	*1
02-03	Motor Rated Speed	----	by motor nameplate	
02-04	Motor Rated Voltage	----	by motor nameplate	
02-05	Motor Rated Power	0~22.0	by motor nameplate	
02-06	Motor Rated Frequency	0~599.0	by motor nameplate	
02-07	Motor Auto Tuning	0: Disable 1: Static auto tuning	0	
02-08	Stator Resistor Gain	0~600	by series	
02-09	Rotor Resistor Gain	0~600	by series	
02-10 ~ 02-12	Reserved			
02-13	SLV Slip Compensation Gain	0~200	by series	
02-14	SLV Torque Compensation Gain	0~200	100	
02-15	Low Frequency Torque Gain	0~100	50	
02-16	SLV Without Load Slip Compensation Gain	0~200	by series	
02-17	SLV With Load Slip Compensation Gain	0~200	150	
02-18	SLV With Load Torque Compensation Gain	0~200	100	
02-19	SLV Slip Compensation Select	0: Slip Compensation 1 2: Slip Compensation 2	0	

Group 03- Multi function Digital Inputs/Outputs				
No.	Description	Range	Factory Setting	Note
03-00	Multifunction Input Term. S1	0: Forward/Stop Command or Run /Stop 1: Reverse/Stop Command Or REV/FWD 2: Preset Speed setting bit 0 (5-02) 3: Preset Speed setting bit 1 (5-03) 4: Preset Speed setting bit 2 (5-05) 6: Jog Forward Command 7: Jog Reverse Command 8: Up Command 9: Down Command	0	
03-01	Multifunction Input Term. S2	10: Acc/Dec 2 11: Acc/Dec Disabled 12: Main / Alternative Run Command select 13: Main / Alternative Frequency Command select	1	
03-02	Multifunction Input Term. S3	14: Rapid Stop (Decel to stop) 15: Base Block 16: Disable PID Function 17: Reset 18: Auto Run Mode enable	2	
03-03	Multifunction Input Term. S4	19: Forced Frequency Run(pump model only) 20: Switch to Constant Pressure 2(pump model only)	3	
03-04	Multifunction Input Term. S5		17	
03-05	Reserved			
03-06	Up/Down frequency band	0.00~5.00	0.00	
03-07	Up/Down Frequency modes	0: Preset frequency is held as the inverter stops, and the UP/Down function is disabled. 1: Preset frequency is reset to 0 Hz as the inverter stops.	0	

Group 03- Multi function Digital Inputs/Outputs				
No.	Description	Range	Factory Setting	Note
		2: Preset frequency is held as the inverter stops, and the UP/Down is available.		
03-08	S1~S5 scan confirmation	1~200. Number of Scan cycles	10	
03-09	S1~ S5 switch type select	xxxx0:S1 NO xxx1:S1 NC xxx0x:S2 NO xxx1x:S2 NC xx0xx:S3 NO xx1xx:S3 NC x0xxx:S4 NO x1xxx:S4 NC 0xxxx:S5 NO 1xxxx:S5 NC	00000	
03-10	Reserved			
03-11	Output Relay(RY1)	0: Run 1: Fault 2: Setting Frequency Reached 3: Frequency Reached (3-13±3-14) 4: Output Frequency Detection1(> 3-13) 5: Output Frequency Detection2(< 3-13) 6: Auto-Restart 7: Momentary AC Power Loss 8: Rapid Stop 9: Base Block 10: Motor Overload Protection(OL1) 11: Drive Overload Protection(OL2) 12: Reserved 13: Output Current Reached 14: Brake Control 15: PID feedback disconnection detection 16: High Pressure Detection 17: Low Pressure Detection 18: Pressure Loss Detection	1	
03-13	Output frequency detection	0.00~599.00	0.00	*1

Group 03- Multi function Digital Inputs/Outputs				
No.	Description	Range	Factory Setting	Note
	level (Hz)			
03-14	Frequency Detection band	0.00~30.00	2.00	*1
03-15	Output Current Detection Level	0.1~999.9	0.1	
03-16	Output Current Detection Period	0.1~10.0	0.1	
03-17	External Braking Release level	0.00~20.00	0.00	
03-18	External Braking Engage Level	0.00~20.00	0.00	
03-19	Relay Output function type	0: A (Normally open) 1: B (Normally close)	0	
03-20	Braking Transistor On Level	100/200V: 240.0~400.0V 400V: 500.0~800.0V	100/220/230V: 380 380/400V: 690 415/460V: 780	◇
03-21	Braking Transistor Off Level	100/200V: 240.0~400.0V 400V: 500.0~800.0V	100/220/230V: 360 380/400V: 650 415/460V: 740	◇

※ "NO" indicates normally open, "NC" indicates normally closed.

Group 04- Analog signal inputs/ Analogue output functions				
No.	Description	Range	Factory Setting	Note
04-08	ACIBias	0 ~ 100	0	*1
04-09	ACI Bias Selection	0: Positive 1: Negative	0	*1
04-10	ACI Slope	0: Positive 1: Negative	0	*1
04-11	Analog Output mode(AO)	0: Output Frequency 1: Frequency Command 2: Output Voltage 3: DC Bus Voltage 4: Motor Current	0	*1
04-12	Analog Output AO Gain (%)	0 ~ 1000	100	*1
04-13	Analog Output AO Bias (%)	0 ~ 100	0	*1
04-14	AO Bias Selection	0: Positive 1: Negative	0	*1
04-15	AO Slope	0: Positive 1: Negative	0	*1
04-16	Potentiometer Gain on Keypad	0~1000	100	*1
04-17	Potentiometer Bias on Keypad	0~100	0	*1
04-18	Potentiometer Bias Selection on Keypad	0: Positive 1: Negative	0	*1
04-19	Potentiometer Slop on Keypad	0: Positive 1: Negative	0	*1

Group 04- Analog signal inputs/ Analogue output functions				
No.	Description	Range	Factory Setting	Note
04-00	AVI/ACI analog Input signal type select	AVI 0: 0~10V 1: 0~10V 2: 2~10V 3: 2~10V	ACI 0~20mA 4~20mA 0~20mA 4~20mA	0
04-01	AVI Signal Verification Scan rate	1~200	50	
04-02	AVI Gain	0 ~ 1000	100	*1
04-03	AVI Bias	0 ~ 100	0	*1
04-04	AVI Bias Selection	0: Positive 1: Negative	0	*1
04-05	AVI Slope	0: Positive 1: Negative	0	*1
04-06	ACI Signal Verification Scan rate	1~200	50	
04-07	ACI Gain	0 ~ 1000	100	*1

Group 05- Preset Frequency Selections.				
No.	Description	Range	Factory Setting	Note
05-00	Preset Speed Control mode Selection	0: Common Accel/Decel Accel/Decel 1 or 2 apply to all speeds 1: Individual Accel/Decel 0-7 apply to the selected preset speeds (Acc0/Dec0~Acc7/Dec7)	0	
05-01	Preset Speed 0 (Keypad Freq)		5.00	*1
05-02	Preset Speed 1 (Hz)	0.00 ~ 599.00	5.00	*1

Group 05- Preset Frequency Selections.					
No.	Description	Range	Factory Setting	Note	
05-03	Preset Speed2 (Hz)	0.1 ~ 3600.0	10.00	*1	
05-04	Preset Speed3 (Hz)		20.00	*1	
05-05	Preset Speed4 (Hz)		30.00	*1	
05-06	Preset Speed5 (Hz)		40.00	*1	
05-07	Preset Speed6 (Hz)		50.00	*1	
05-08	Preset Speed7 (Hz)		50.00	*1	
05-09 ~ 05-16	Reserved				
05-17	Preset Speed0-Acc time		10.0	*1	
05-18	Preset Speed0-Dec time		10.0	*1	
05-19	Preset Speed1-Acc time	10.0	*1		
05-20	Preset Speed1-Dec time	10.0	*1		
05-21	Preset Speed2-Acc time	10.0	*1		
05-22	Preset Speed2-Dec time	10.0	*1		
05-23	Preset Speed3-Acc time	10.0	*1		
05-24	Preset Speed3-Dec time	10.0	*1		
05-25	Preset Speed4-Acc time	10.0	*1		
05-26	Preset Speed4-Dec time	10.0	*1		
05-27	Preset Speed5-Acc time	10.0	*1		
05-28	Preset Speed5-Dec time	10.0	*1		
05-29	Preset Speed6-Acc time	10.0	*1		

Group 05- Preset Frequency Selections.				
No.	Description	Range	Factory Setting	Note
05-30	Preset Speed6-Dec time	0.1 ~ 3600.0	10.0	*1
05-31	Preset Speed7-Acc time		10.0	*1
05-32	Preset Speed7-Dec time		10.0	*1

Group 06- Auto Run(Auto Sequencer) function				
No.	Description	Range	Factory Setting	Note
06-00	Auto Run (sequencer) mode selection	0: Disabled. 1: Single cycle. (Continues to run from the Unfinished step if restarted). 2: Periodic cycle. (Continues to run from the unfinished step if restarted). 3: Single cycle, then holds the speed Of final step to run. (Continues to run from the unfinished step if restarted). 4: Single cycle. (Starts a new cycle if restarted). 5: Periodic cycle. (Starts a new cycle if restarted). 6: Single cycle, then hold the speed of final step to run (Starts a new cycle if restarted).	0	
The frequency of the Auto _ Run Mode frequency command 0 is set by parameter 05-01				
06-01	Auto _ Run Mode frequency command 1	0.00~599.00	0.00	*1
06-02	Auto _ Run Mode frequency command 2		0.00	*1
06-03	Auto _ Run Mode frequency command 3		0.00	*1

Group 06- Auto Run(Auto Sequencer) function				
No.	Description	Range	Factory Setting	Note
06-04	Auto_Run Mode frequency command 4		0.00	*1
06-05	Auto_Run Mode frequency command 5		0.00	*1
06-06	Auto_Run Mode frequency command 6		0.00	*1
06-07	Auto_Run Mode frequency command 7		0.00	*1
06-08 ~ 06-15	Reserved			
06-16	Auto_Run Mode running time setting 0	0.0 ~ 3600.0	0.0	*1
06-17	Auto_Run Mode running time setting 1		0.0	*1
06-18	Auto_Run Mode running time setting 2		0.0	*1
06-19	Auto_Run Mode running time setting 3		0.0	*1
06-20	Auto_Run Mode running time setting 4		0.0	*1
06-21	Auto_Run Mode running time setting 5		0.0	*1
06-22	Auto_Run Mode running time setting 6		0.0	*1
06-23	Auto_Run Mode running time setting 7		0.0	*1
06-24 ~ 06-31	Reserved			
06-32	Auto_Run Mode running direction 0	0: Stop 1: Forward 2: Reverse	0	

Group 06- Auto Run(Auto Sequencer) function				
No.	Description	Range	Factory Setting	Note
06-33	Auto_Run Mode running direction 1		0	
06-34	Auto_Run Mode running direction 2		0	
06-35	Auto_Run Mode running direction 3		0	
06-36	Auto_Run Mode running direction 4		0	
06-37	Auto_Run Mode running direction 5		0	
06-38	Auto_Run Mode running direction 6		0	
06-39	Auto_Run Mode running direction 7		0	

Group 07- Start/Stop command setup				
No.	Description	Range	Factory Setting	Note
07-00	Momentary Power Loss and Restart	0: Momentary Power Loss and Restart disable 1: Momentary power loss and restart enable	0	
07-01	Auto Restart Delay Time	0.0~6000.0	0.0	
07-02	Number of Auto Restart Attempts	0~10	0	
07-03	Reset Mode Setting	0: Enable Reset Only when Run Command is Off 1: Enable Reset when Run Command is On or Off	0	
07-04	Direct Running After Power Up	0: Enable Direct run on power up 1: Disable Direct run on power up	1	
07-05	Delay-ON Timer	1.0~300.0	1.0	
07-06	DC Injection	0.10 ~ 10.00	1.5	

Group 07- Start/Stop command setup				
No.	Description	Range	Factory Setting	Note
	Brake Start Frequency (Hz) In Stop mode			
07-07	DC Injection Brake Level (%) In stop mode	0 ~ 20 (Frame1/2). Based on the 20% of maximum output voltage	5	
		0 ~ 100 (Frame3/4) based on the rated current	50	
07-08	DC Injection Brake Time (Seconds) In stop mode	0.0 ~ 25.5	0.5	
07-09	Stopping Method	0: Deceleration to stop 1: Coast to stop	0	
07-10	DC Braking Level at Start	0 ~ 20 (Frame1/2). Based on the 20% of maximum output voltage	0	
		0 ~ 100 (Frame3/4) based on the rated current	50	
07-11	DC Braking Time at Start	0.0~25.5	0.0	
07-12	Run Command Retention	0: Run command retention during power loss 1: Run command not retained during power loss	1	

Note:

Set 14-00=0, 07-12 will be set to 1 automatically.

Set 14-00=1, 07-12 will be set to 0 automatically.

Group 08- Drive & Motor Protection functions				
No.	Description	Range	Factory Setting	Note
08-00	Trip Prevention Selection	xxxx0: Enable Trip Prevention During Acceleration xxxx1: Disable Trip Prevention During Acceleration xxx0x: Enable Trip Prevention During Deceleration xxx1x: Disable Trip Prevention During Deceleration xx0xx: Enable Trip Prevention in Run Mode xx1xx: Disable Trip	00000	

Group 08- Drive & Motor Protection functions				
No.	Description	Range	Factory Setting	Note
		Prevention in Run Mode x0xxx: Enable over voltage Prevention in Run Mode x1xxx: Disable over voltage Prevention in Run Mode		
08-01	Trip Prevention Level During Acceleration (%)	50 ~ 200	by series	
08-02	Trip Prevention Level During Deceleration (%)	50 ~ 200	by series	
08-03	Trip Prevention Level In Run Mode (%)	50 ~ 200	by series	
08-04	over voltage Prevention Level in Run Mode	200V: 350.0~390.0 400V: 700.0~780.0	380.0/760.0	*1
08-05	Electronic Motor Overload Protection Operation Mode	xxxx0: Disable Electronic Motor Overload Protection	00001	
		xxxx1: Enable Electronic Motor Overload Protection		
		xxx0x: Motor Overload Cold Start		
		xxx1x: Motor Overload Hot Start		
		xx0xx: Standard Motor		
		xx1xx: Inverter Duty Motor (Force Vent)		
08-06	Operation After Overload Protection is Activated	0: Coast-to-Stop After Overload Protection is Activated 1: Drive Will Not Trip when Overload Protection is Activated (OL1)	0	

Group 08- Drive & Motor Protection functions				
No.	Description	Range	Factory Setting	Note
08-07	Over heat Protection (cooling fan control)	0: Auto (Depends on temp.) 1: Operate while in RUN mode 2: Always Run 3: Disabled	1	
08-08	AVR Function (Auto Voltage Regulation)	0: AVR function enable 1: AVR function Disable 2: AVR function disable for stop 3: AVR function disable for deceleration 4: AVR function disable for stop and deceleration. 5: When VDC>(360V/740V), AVR function disable for stop and deceleration.	4	
08-09	Input phase lost protection	0: Disabled 1: Enabled	0	
08-10	PTC Overheat Function	0: Disable 1: Decelerate to stop 2: Coast to stop 3: Continue running, when warning level is reached. Coast to stop, when protection level is reached.	0	
08-11	PTC Signal Smoothing Time	0.01~10.00	0.2	
08-12	PTC Detection Time Delay	1~300	60	
08-13	PTC Protection Level	0.1~10.0	0.7	
08-14	PTC Detection Level Reset	0.1~10.0	0.3	
08-15	PTC Warning Level	0.1~10.0	0.5	
08-16	Fan Control Temperature Level	10.0~50.0	50.0	
08-17	Over current protection level	0.0 ~ 60.0	0.0	

Group 08- Drive & Motor Protection functions				
No.	Description	Range	Factory Setting	Note
08-18	Over current protection time	0.0 ~ 1500.0	1.0	
08-19	Motor Overload Protection Level	0: Motor Overload Protection Level 0 1: Motor Overload Protection Level 1 2: Motor Overload Protection Level 2	0	

Group 09- Communication function setup				
No.	Description	Range	Factory Setting	Note
09-00	Assigned Communication Station Number	1 ~ 32	1	*2*3
09-01	Communication Mode Select	0: Modbus RTU code 1: Modbus ASCII code 2: BACnet	0	*2*3
09-02	Baud Rate Setting (bps)	0 :4800 1: 9600 2: 19200 3: 38400 4: Remote Control is enabled	2	*2*3 ◇
09-03	Stop Bit Selection	0: 1 Stop Bit 1: 2 Stop Bits	0	*2*3
09-04	Parity Selection	0: Without Parity 1: With Even Parity 2: With Odd Parity	0	*2*3
09-05	Data Format Selection	0: 8-Bits Data 1: 7-Bits Data	0	*2*3
09-06	Communication time-out detection time	0.0 ~ 25.5	0.0	
09-07	Communication time-out operation selection	0: Deceleration to stop (00-15: Deceleration time 1) 1: Coast to stop 2: Deceleration to stop (00-17: Deceleration time 2) 3: continue operating	0	
09-08	Error 6 verification time.	0 ~ 20	3	
09-09	Drive Transmit delay Time (ms)	5 ~ 65	5	
09-10	BACnet stations	1~254	1	*2*3

Group10- PID function Setup				
No.	Description	Range	Factory Setting	Note
10-00	PID target value selection (when 00-05\00-06=6, this function is enabled)	0: Potentiometer on Keypad 1: Analog Signal Input. (AVI) 2: Analog Signal Input. (ACI) 3: Frequency set by communication 4: KeyPad Frequency parameter 10-02 5: Preset frequency	1	*1
10-01	PID feedback value selection	0: Potentiometer on Keypad 1: Analog Signal Input. (AVI) 2: Analog Signal Input. (ACI) 3: Communication Setting Frequency	2	*1
10-02	PID Target (keypad input)	0.0~100.0	50.0	*1
10-03	PID Mode Selection	0: Disabled 1: Deviation D Control. FWD Characteristic. 2: Feedback D Control FWD Characteristic. 3: Deviation D Control Reverse Characteristic. 4: Feedback D Control Reverse Characteristic. 5: Frequency Command + Deviation D Control. FWD Characteristic. 6: Frequency Command + Feedback D Control FWD Characteristic. 7: Frequency Command + Deviation D Control Reverse Characteristic. 8: Frequency Command + Feedback D Control Reverse Characteristic.	0	
10-04	Feedback Gain Coefficient	0.00 ~ 10.00	1.00	*1

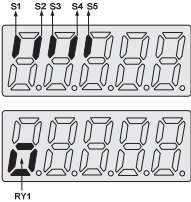
Group10- PID function Setup				
No.	Description	Range	Factory Setting	Note
10-05	Proportional Gain	0.0 ~ 10.0	3.0	*1
10-06	Integral Time	0.0 ~ 100.0	0.5	*1
10-07	Derivative Time	0.00 ~ 10.00	0.00	*1
10-08	PID Offset	0: Positive 1: Negative	0	*1
10-09	PID Offset Adjust	0 ~ 109	0	*1
10-10	PID Output Lag Filter Time	0.0 ~ 2.5	0.0	*1
10-11	Feedback Loss Detection Mode	0: Disabled 1: Drive keeps running after feedback loss 2: Drive stops after feedback loss	0	
10-12	Feedback Loss Detection Level	0 ~ 100	0	
10-13	Feedback Loss Detection Delay Time	0.0 ~ 25.5	1.0	
10-14	Integration Limit Value	0 ~ 109	100	*1
10-15	Integral Value Resets to Zero when Feedback Signal Equals the Target Value	0: Disabled 1: 1 Second 30: 30 Seconds (0 ~ 30)	0	
10-16	Allowable Integration Error Margin (units)(1unit = 1/8192)	0 ~ 100	0	
10-17	PID Sleep Frequency Level	0.00~599.00	0.00	
10-18	PID Sleep Function Delay Time	0.0 ~ 25.5	0.0	
10-19	PID Wake up frequency Level	0.00 ~ 599.00	0.00	
10-20	PID Wake up function Delay Time	0.0 ~ 25.5	0.0	
10-21	Max PID Feedback Setting	0 ~ 999	100	*1
10-22	Min PID	0 ~ 999	0	*1

Group10- PID function Setup				
No.	Description	Range	Factory Setting	Note
	Feedback Setting			

Group11- Performance Control functions				
No.	Description	Range	Factory Setting	Note
11-00	Reverse operation control	0: Reverse command is enabled 1: Reverse command is disabled	0	
11-01	Carrier Frequency (kHz)	1~16	5	
11-02	Carrier mode Selection	0: Mode0, 3phase PWM modulation 1: Mode1, 2phase PWM modulation 2: Mode2, 2phase soft PWM modulation	1	
11-03	Carrier Frequency Reduction by temperature rise	0: disabled 1: enabled	0	
11-04	S-Curve Acc 1	0.0 ~ 4.0	0.00	
11-05	S-Curve Acc 2	0.0 ~ 4.0	0.00	
11-06	S-Curve Dec 3	0.0 ~ 4.0	0.00	
11-07	S-Curve Dec 4	0.0 ~ 4.0	0.00	
11-08	Skip Frequency 1	0.00 ~ 599.00	0.00	*1
11-09	Skip Frequency 2	0.00 ~ 599.00	0.00	*1
11-10	Skip Frequency 3	0.00 ~ 599.00	0.00	*1
11-11	Skip Frequency Bandwidth (±)	0.00 ~ 30.00	0.00	*1
11-12	Reserved			
11-13	Regeneration Prevention Function	0: Disable 1: Enable 2: Enable (during constant speed only)	0	
11-14	Regeneration Prevention Voltage Level	200v: 300.0~400.0 400v: 600.0~800.0	380/760	

Group11- Performance Control functions				
No.	Description	Range	Factory Setting	Note
11-15	Regeneration Prevention Frequency Limit	0.00 ~ 15.00	3.00	
11-16	Regeneration Prevention Voltage Gain	0~200	100	
11-17	Regeneration Prevention Frequency Gain	0~200	100	
11-18	Speed loop proportion gain	0~65535	10000	
11-19	Speed loop integration gain	0 ~65535	800	
11-20	Speed loop differential gain	0 ~65535	0	
11-21	Stop Key Selection	0: Enable Stop Key when Run Command not from Keypad 1: Disable Stop Key when Run Command not from Keypad	0	

Group12 Digital Display & Monitor functions				
No.	Description	Range	Factory Setting	Note
12-00	Extended Display Mode	00000 ~77777. Each digit can be set to 0 to 7 0: Default display (frequency & parameters) 1: Output Current 2: Output Voltage 3: DC voltage 4: Temperature of Heat sink 5: PID feedback 6: Analog Signal Input. (AVI) 7: Analog Signal Input. (ACI)	00321	*1
12-01	PID Feedback Display format	0: Integer (xxx) 1: One decimal Place (xx.x) 2: Two Decimal Places (x.xx)	0	*1
12-02	PID Feedback	0: xxx-- 1: xxxpb (pressure)	0	*1

Group12 Digital Display & Monitor functions				
No.	Description	Range	Factory Setting	Note
	Display Unit Setting	2: xxxfl (flow)		
12-03	Custom Units (Line Speed) Value	0~65535	1500/180 0	*1
12-04	Custom Units (Line Speed) Display Mode	0: Drive Output Frequency is Displayed 1: Line Speed. Integer.(xxxx) 2: Line Speed..One Decimal Place (xxxx.x) 3: Line Speed.Two Decimal Places (xxx.xx) 4: Line Speed.Three Decimal Places (xx.xxx)	0	*1
12-05	Inputs and output Logic status display (S1 to S5) & RY1		----	*4
12-06	Output Power	----	0.0	
12-07	Motor Current Percentage	----	0	

Group 13 Inspection & Maintenance functions				
No.	Description	Range	Factory Setting	Note
13-00	Drive Horsepower Code	----	-	*3
13-01	Software Version	----	-	*3*4
13-02	Fault Log (Last 3 Faults)	----	-	*3*4
13-03	Accumulated Operation Time1 1	0~23	-	*3
13-04	Accumulated Operation Time1 2	0~65535	----	*3
13-05	Accumulated Operation Time Mode	0: Time Under Power 1: Run Mode Time Only	0	*3

Group 13 Inspection & Maintenance functions				
No.	Description	Range	Factory Setting	Note
13-06	Parameter Lock	0: Enable all Functions 1: Preset speeds 05-01~05-08 cannot be changed 2: All Functions cannot be changed Except for Preset speeds 05-01~05-08 3: Disable All Function 4: Parameters 00-00 cannot be modified, cannot be restored to factory settings, other parameters can be changed	0	
13-07	Parameter Lock Code	00000~65535	00000	
13-08	Reset Drive to Factory Settings	1150: Initialization (50Hz,220V/380V) 1160: Initialization (60Hz,220V/380V) 1250: Initialization (50Hz,230V/400V) 1260: Initialization (60Hz,230V/460V) 1350: Initialization (50Hz,220V/415V) 1360: Initialization (60Hz,230V/400V)	1250/1360 (Note)	

Notes:

For built-in EMC filter models, the default setting of 13-08 is "1250".

For without built-in EMC filter models, the default setting of 13-08 is "1360"

Group 14 PUMP Application Function				
No.	Description	Range	Factory Setting	Note
14-00	Function Selection	0: Disable 1: PUMP	0	
14-01	Setting of Single & Multiple Pumps and Master & Slave Machines	0: Single Pump 1: Multiple pumps -Master 2: Multiple pumps -Slave 1 3: Multiple pumps -Slave 2 4: Multiple pumps -Slave 3	0	
14-02	Operation Pressure Setting	0.1~(the value of 14-03)	4.00	
14-03	Maximum Pressure	0.10 ~ 650.00	10.00	

Group 14 PUMP Application Function				
No.	Description	Range	Factory Setting	Note
	Setting of Pressure Transmitter			
14-04	Pump Pressure Command Source	0 : Set by 14-02 1 : Set by AI	0	
14-05	Display Mode Selection	0: Display of Target and Pressure Feedback (14-03<99) 1: Target Pressure Only 2: Feedback Pressure Only	0	
14-06	Proportion Gain(P)	0.00~10.00	3.00	
14-07	Integral Time(I)	0.0~100.0	0.5	
14-08	Differential Time(D)	0.00~10.00	0.00	
14-09	Tolerance Range of Constant Pressure	When 14-20=0, range is 0.00~650.00 When 14-20=1, range is 0~100	5	
14-10	Sleep Frequency of Constant Pressure	0.00~599.00	30.00	
14-11	Sleep Time of Constant Pressure	0.0~255.5	0.0	
14-12	Maximum Pressure Limit	When 14-20=0, range is 0.00~650.00 When 14-20=1, range is 0~100	50	
14-13	Warning Time of High Pressure	0.0~600.0	10	
14-14	Stop Time of High Pressure	0.0~600.0	20	
14-15	Minimum Pressure Limit	When 14-20=0, range is 0.00~650.00 When 14-20=1, range is 0~100	5	
14-16	Warning Time of Low Pressure	0.0~600.0	0.0	
14-17	Fault Stop Time of Low Pressure	0.0~600.0	0.0	
14-18	Time of Loss Pressure Detection	0.0~600.0	0.0	
14-19	Proportion	0~100	0	

Group 14 PUMP Application Function				
No.	Description	Range	Factory Setting	Note
	of Loss Pressure Detection			
14-20	Switching of Pressure and Percentage	0: Pressure 1: Percentage	1	
14-22	Slave Trip Frequency	0.00 ~ 599.00	45.00	
14-23	Direction of Water Pressure Detection	0: Upward Detection 1: Downward Detection	1	
14-24	Range of Water Pressure Detection	When 14-20=0, range is 0.00~650.00 When 14-20=1, range is 0~100	1	
14-25	Period of Water Pressure Detection	0.0~200.0	30.0	
14-26	Acceleration Time of Water Pressure Detection	0.1~3600.0	12.0	
14-27	Deceleration Time of Water Pressure Detection	0.1~3600.0	35.0	
14-28	Forced Run Command	0.00~(the value of 00-12)	0.00	
14-29	Switching Time of Water Pressure Detection	0~240	3	
14-30	Detection Time of Multiple Pumps in Parallel Running Start	0~30.0	0.0	
14-31	Synchronous Selection of Multiple Pumps in Parallel	0: Disable 1: Pressure Setting Run/Stop 2: Pressure Setting 3: Run/Stop	1	
14-34	Tolerance Range of Constant Pressure 2	When 14-20=0, range is 0.00~650.00 When 14-20=1, range is 0~100	5	
14-35	Selection of Multiple Pumps Shift Operation	0: No Function 1: Timer Alternately Selection	1	

Group 14 PUMP Application Function				
No.	Description	Range	Factory Setting	Note
		2: Sleep Stop Alternately Selection 3: Timer and Sleep Stop Alternately Selection 4: Multiple Pumps Test Mode		
14-37	Leakage Detection Time	0.0~100.0	0.0	
14-38	Pressure Variation of Leakage Detection Restart	When 14-20=0, range is 0.00~65.00 When 14-20=1, range is 0~100	1	
14-39	Pressure Tolerance Range of Leakage Detection Restart	When 14-20=0, range is 0.00~650.00 When 14-20=1, range is 0~100	5	
14-71	Maximum Pressure Setting	0.10~650.00	10	
14-72	Switching Time of Alternation in Parallel	0: Hour 1: Minute	0	
14-73	Slave Wake-Up Selection	0: Disable 1: Enable	0	
14-74	Proportion Time 2 (P)	0.00~10.00	3.00	◇
14-75	Integral Time 2 (I)	0.0~100.0	0.5	◇
14-76	Differential Time 2 (D)	0.00~10.00	0.00	◇
14-77	The Value of Water Pressure Detection	0~100	1	◇
14-78	Maximum Current Limit	0.1~6553.5	6.1	
14-79	Minimum Current Limit	0.1~6553.5	6.1	
14-80	Current limit cumulative time	0~600.0	0	

**** (Group 14 only can be used once parameter 14-00=1)**

Note: When 14-00 set to 1, 07-12 will be set to 0 at the same time. (After version 1.13)

Chapter 4 Troubleshooting and maintenance

4.1 Error display and corrective action

4.1.1 Manual Reset and Auto-Reset

Faults which cannot be recovered manually	
Display	Corrective action
-OV-	Consult with the supplier
-OU-	
-LV-	1. Check if the power voltage is correct 2. failed resistor or fuse 3. Consult with the supplier
-LU-	
-OH-	Improve the ventilation conditions, if no result then replace the inverter
-OH-	
OH-C	1. Reduce carrier frequency 2. Improve the ventilation conditions, if no result then replace the inverter
OH-C	
CtEr	Consult with the supplier
CtEr	
HPErr	Check the inverter capacity setting (13-00) to meet the hardware voltage levels.
HPErr	
Err4	1. Remove the interference source then restart by switching power OFF/ON 2 If not resolved then Consult with the supplier
Err4	
EPr	Consult with the supplier
EPr	
COt	Check the wiring
COt	

Faults which can be recovered manually and automatically	
Display	Corrective action
OC-A	1.Set a longer acceleration time 2.Replace inverter with one that has the same rating as that of the motor 3.Check the motor 4.Check the wiring 5.Consult with the supplier
OC-A	
OC-C	1.Increase the capacity of the inverter 2.Install inductor on the power supply input side
OC-C	
OC-d	Set a longer deceleration time
OC-d	
OC-S	1.Inspect the motor 2.Inspect the wiring 3.Consult with the supplier
OC-S	
OV-C	1.Set a longer deceleration time 2.Consider use of a brake resistor and/or brake module (For 400V models or 200V 5hp~15hp models) 3.Consider use of a reactor at the power input side
OV-C	
PF	1.Check the main circuit power supply wiring. 2.Check the power supply voltage
PF	
LPBFT	1.Check feedback signal is correct and with connection. 2.Check if feedback value of pressure is lower than limit of minimum pressure (14-15).
LPbft	
OPBFT	1.Check feedback signal is correct. 2.Check if feedback value of pressure is lower than limit of maximum pressure (14-12).
OPbft	
FBLSS	1.Check if the proportion of loss pressure (23-19) is set correctly. 2.Make sure the feedback sensor is installed correctly and PID feedback signal operates normally.
FbLSS	

Faults which can be recovered manually but not automatically	
Display	Corrective action
OC	Consult with the supplier
OC	
OL1	Consider increasing the Motor capacity
OL1	
OL2	Consider increasing the inverter capacity
OL2	
CL	Check load condition and running period time.
CL	
LV-C	1.Improve power quality 2.Consider adding a reactor at the power input side
LV-C	
OVSP	1.Check for excessive load 2.Check weather frequency setting signal is right or not
OVSP	
OH4	1.To improve the ventilation condition 2.Adjust parameter 08-15
OH4	
OPErr	1. Use "RESET" key of inverter to remove the error code 2. Set 09-02 to 0~3
OPErr	

4.1.2 Keypad Operation Error Instruction

Display	Corrective action
LOC	1.Adjust 13-06 2.Adjust 11-00
LOC	
Err1	1.The ▲ or ▼ is available for modifying the parameter only when 00-05/00-06=0 2.Modify the parameter in STOP mode.
Err1	

Display	Corrective action
Err2 Err2	1.modify11-08~11-10 or 11-11 2.00- 12>00-13 3.set 00-05 and 00-06 to be different 4.set 03-21 <03-20 5.PTC function source can not be set the same source(AVI) with frequency command and PID command. 6.Please set correct password
Err5 Err5	1.Issue enable command before communication 2.Set parameters 09-02~09-05 function before communication
Err6 Err6	1.Check hardware and wiring 2.Check Functions(09-00~09- 05). 3.CON2 needs to connect to the earth. 4.Please increase the setting value of 09-08
Err7 Err7	If reset is not possible, please consult with the supplier.

Display	Description
StP2 StP2	1. If the Stop key is pressed while the inverter is set to external control mode (00-02/00-03=1) then 'STP2' flashes after stop. 2. Release and re-activate the run contact to restart the inverter.
E.S. E.S.	When external rapid stop input is activated the inverter will decelerate to stop and the display will flash with E.S. message.
b.b. b.b.	When external base block input is activated the inverter stops immediately and then the display will flash with b.b. message.
PdEr PdEr	PID feedback loss is detected.
Alter Alter	other errors show up in the process of auto tuning.
OH3 OH3	If 08-10 = 3, When over temperature is detected by signal at terminal AVI increasing above the warning detection limit set in parameter 08-15, then the display will show "OH3"(motor over heat warning level) and the motor will continue to run.
LOPB LOPB	Check if feedback value of pressure is lower than limit of minimum pressure
HIPB HIPB	Check if feedback value of pressure is lower than limit of maximum pressure.
COUP COUP	Communication breaking or disconnection of pump cascade control.

4.1.3 Special conditions

Display	Description
StP0 StP0	In V/f mode, STP0 comes out at less than 1.3Hz (50Hz set) or at less than 1.5Hz (60Hz set) In SLV mode, STP0 comes out at less than 1Hz
StP1 StP1	1. If the inverter is set for external terminal control mode (00-02/00-03=1) and direct start is disabled (07-04=1) 2. The inverter cannot be started and will flash STP1. 3. The run input is active at power-up, refer to descriptions of (07-04).

第 1 章 安全注意事項

1.1 送電前

⚠ 危險

主回路端子必須正確配線，單相 L1(L)、L3(N) / 三相 L1(L)、L2、L3(N); 400V : L1、L2、L3 為電源輸入端子，絕對不可以與 T1、T2、T3 混用；混用時，送電將造成變頻器的損壞。

⚠ 注意

- 所選用之電源電壓必須與變頻器之輸入電壓規格相同。
- 搬運變頻器時，請勿直接提取前蓋，應由變頻器本體搬運，以防止前蓋脫落，避免變頻器掉落造成人員受傷或變頻器損壞。
- 請將變頻器安裝於金屬類等不燃物材料之上，請勿安裝於易燃性材料上或附近，以防止發生火災。
- 若多台變頻器同放在一個控制盤內，請外加散熱風扇，使盤內溫度低於 50°C 以下，以防過熱或火災等發生。
- 請於關閉電源後，再拆卸或裝入操作器，並請按圖操作固定操作器，以免接觸不良造成操作器故障或不顯示。

注意：安裝環境限制，內含風扇機種為-10~50°C，不含風扇機種為-10~40°C

警告

本產品系通過 IEC EN61800-3、EN61800-5-1 限制區域使用等級。在某些環境下使用本產品時，可能造成電磁干擾，故在使用前請先進行適當的測試，同時請務必做好接地工程。

⚠ 注意

- 產品的安裝及使用必須由有資格的專業電氣人員進行。
- 產品的安裝必須以固定式配線方式進行。

1.2 送電中

⚠ 危險

- 若停電時間大於兩秒（功率越大，可允許斷電時間愈長），會使變頻器失去控制電源，故在電源恢復送電以後，變頻器運轉與否，是根據 00- 02(或 00- 03)及 07- 04 參數的設定及外部開關的狀態而決定，此時視為重新開機。
- 若停電時間短，變頻器仍擁有控制電源，因此當電源恢復時，變頻器能否自行啟動，將取決於 07- 00 參數的設定。
- 當重新開機時，變頻器運轉與否，取決於 00-02 或 00-03 及 07- 04 的設定及電源開關/運轉開關(FWD/REV 開關)的狀態(與 07- 00/07- 01/07- 02)：
 1. 00-02(或 00-03)=0 時，重新開機後，不會自動啟動。
 2. 00-02(或 00-03)=1 且電源開關或運轉開關(FWD/REV 開關)關斷時，重新開機後，不會自動啟動。
 3. 00- 02(或 00- 03)=1 且電源開關及運轉開關導通且 07- 04=0 時，重新開機後，會自動啟動。基於安全考慮，請在停電以後將電源開關及運轉開關(FWD/REV 開關)關斷，以避免突然復電後，對機器及人身造成傷害。
- 07- 04=0 時，為確保人身及機器設備安全，請參照 07- 04 詳細使用說明及建議。

1.3 運轉前

⚠ 危險

- 送電前請確認變頻器之機種容量和變頻器功能參數 13- 00 所設定的機種容量相同。

⚠ 注意

- 電源投入時，變頻器會先閃爍 01- 01 所設定的變頻器供電電源電壓 2 秒。

1.4 運轉中

⚠ 危險

- 運轉中不可將馬達機組投入或切離，否則會造成變頻器過電流跳脫，嚴重時會造成變頻器主回路損壞。

⚠ 危險

- 變頻器送電中請勿取下前蓋，以防人員感電受傷。
- 如設定自動再啟動功能時，馬達於運轉停止後會自動再啟動，請勿靠近機器以免危險。
- 停止開關的功能須設定才有效，與緊急停止開關的用法不同，請注意使用。

⚠ 注意

- 散熱座、煞車電阻等發熱元件請勿觸摸。⚠
- 變頻器可以很容易使馬達低速到高速運轉，請確認馬達與機械的容許範圍。
- 使用煞車模組等搭配產品時，請注意其使用之相關設定。
- 變頻器運轉時，請勿檢查電路板上的信號。

⚠ 危險

- 避免感電！變頻器內部的直流電容器在電源移除後 5 分鐘才能放電完畢，請在電源移除後 5 分鐘，再進行拆裝或實施檢查。

1.5 檢查保養時

⚠ 注意

- 變頻器周圍溫度應在 $-10^{\circ}\text{C} \sim +50^{\circ}\text{C}$ (注意 1) 95%RH 不結露環境中使用，但需確保周圍環境無滴水及金屬粉塵。

變頻器報廢時注意事項

⚠ 注意

- 當變頻器要處理報廢時，請作為工業垃圾進行處理,並請注意以下事項：
- 變頻器主回路的電解電容和印刷電路板上的電解電容焚燒時可能會發生爆炸；
- 變頻器的外殼等塑膠件焚燒時會產生有毒氣體。

注意 1：內含風扇機種為 $-10 \sim 50^{\circ}\text{C}$ ，不含風扇機種為 $-10 \sim 40^{\circ}\text{C}$



裝有電子元件的設備不能與生活垃圾一起處理，必須按照地方現行法規將其與電氣和電子廢棄物一起單獨回收。

1.6 保證責任的免除

- 因本公司產品的故障，給貴公司或貴公司的客戶等造成的機會喪失以及非本公司產品的損傷，或對於其他業務的補償，無論是否在保證期限內，均不屬於本公司的保證範圍。

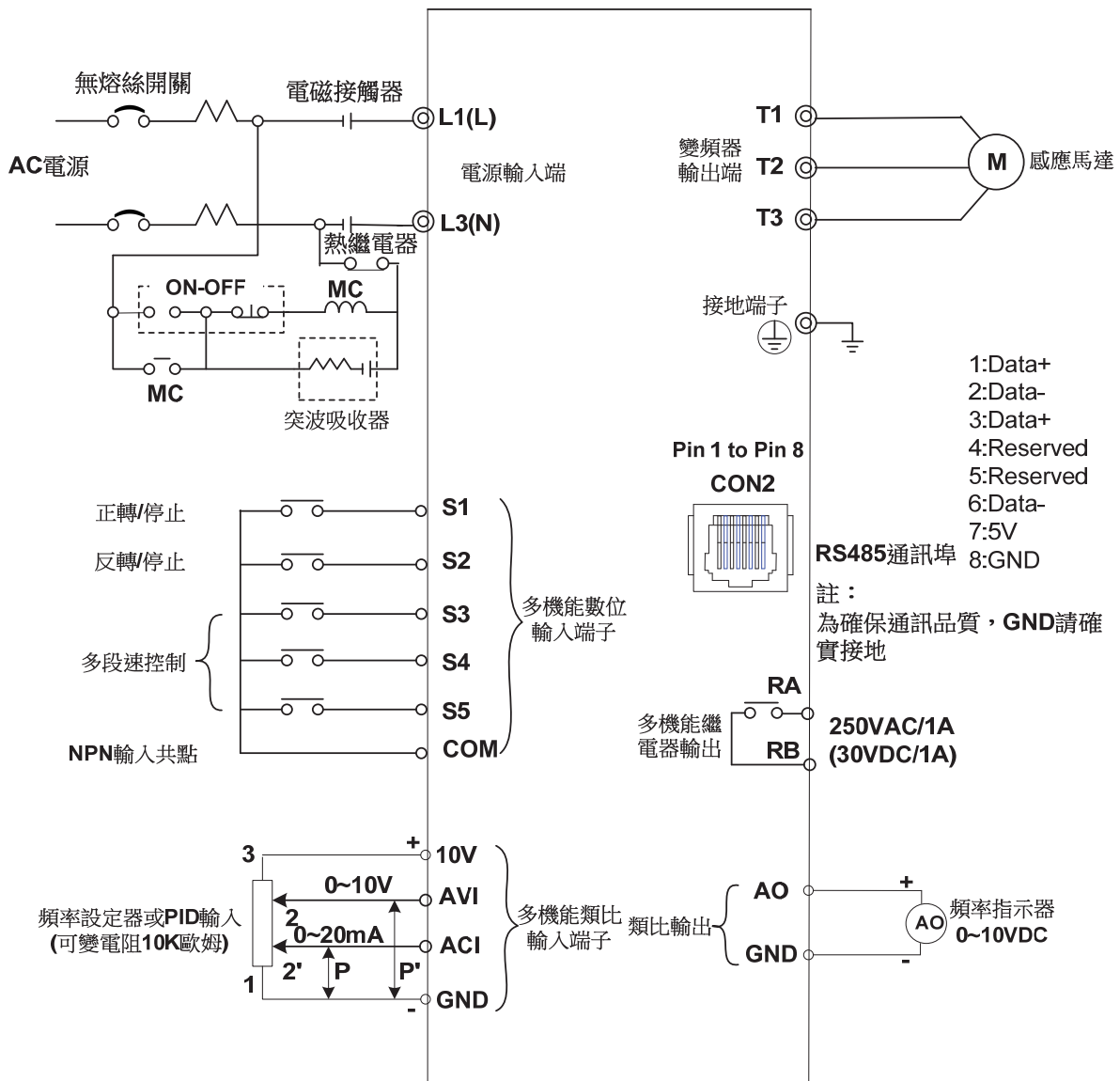
第 2 章 周圍環境及安裝

2.1 系統圖：



2.2 標準配線

2.2.1 單相(NPN)輸入

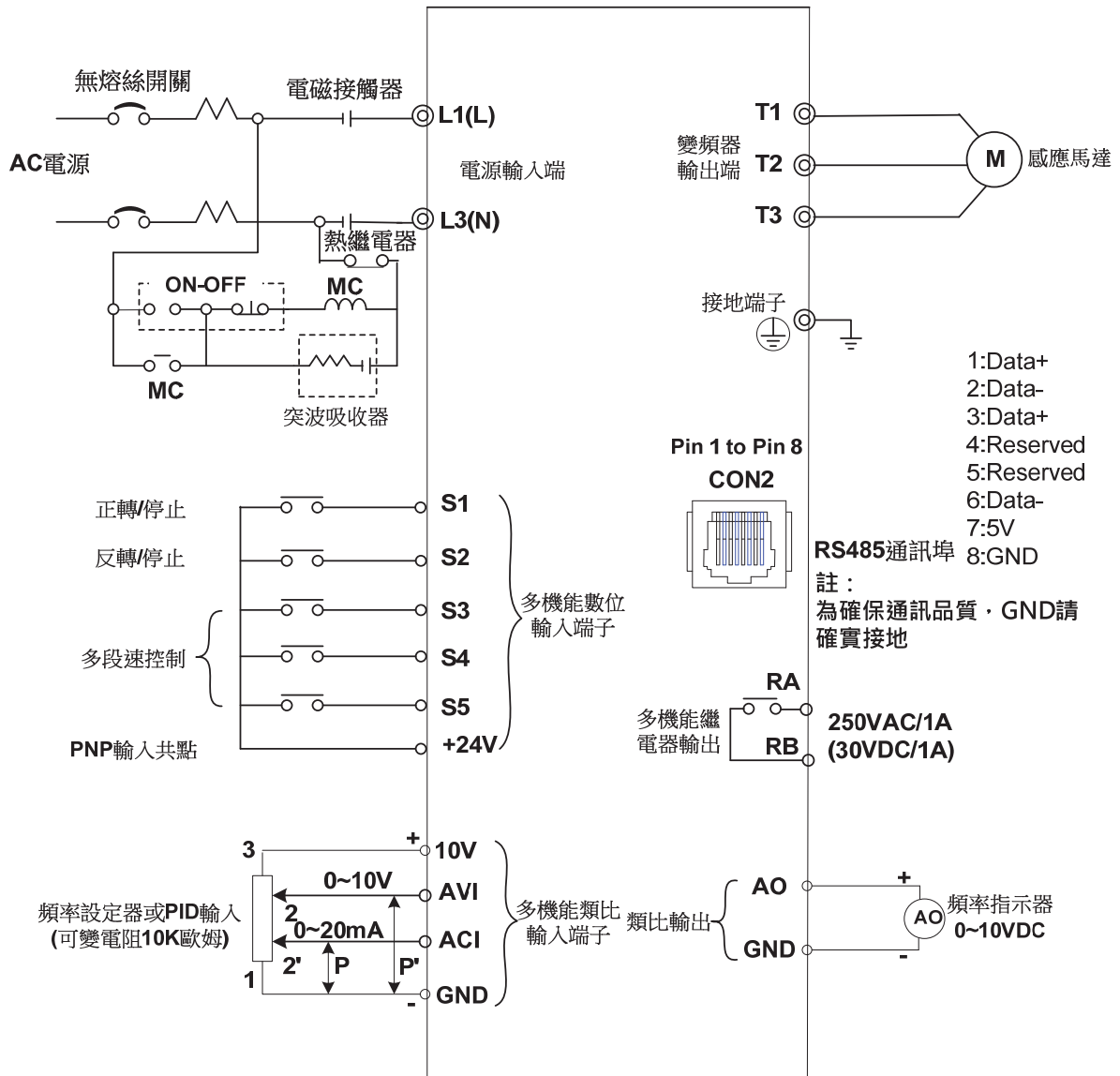


對應型號:

100V : L510-1P2-SH1-N, L510-1P5-SH1-N, L510-101-SH1-N

200V : L510-2P2-SH1(F)-N, L510-2P5-SH1(F)-N,
L510-201-SH1(F)-N, L510-202-SH1(F)-N, L510-203-SH1(F)-N

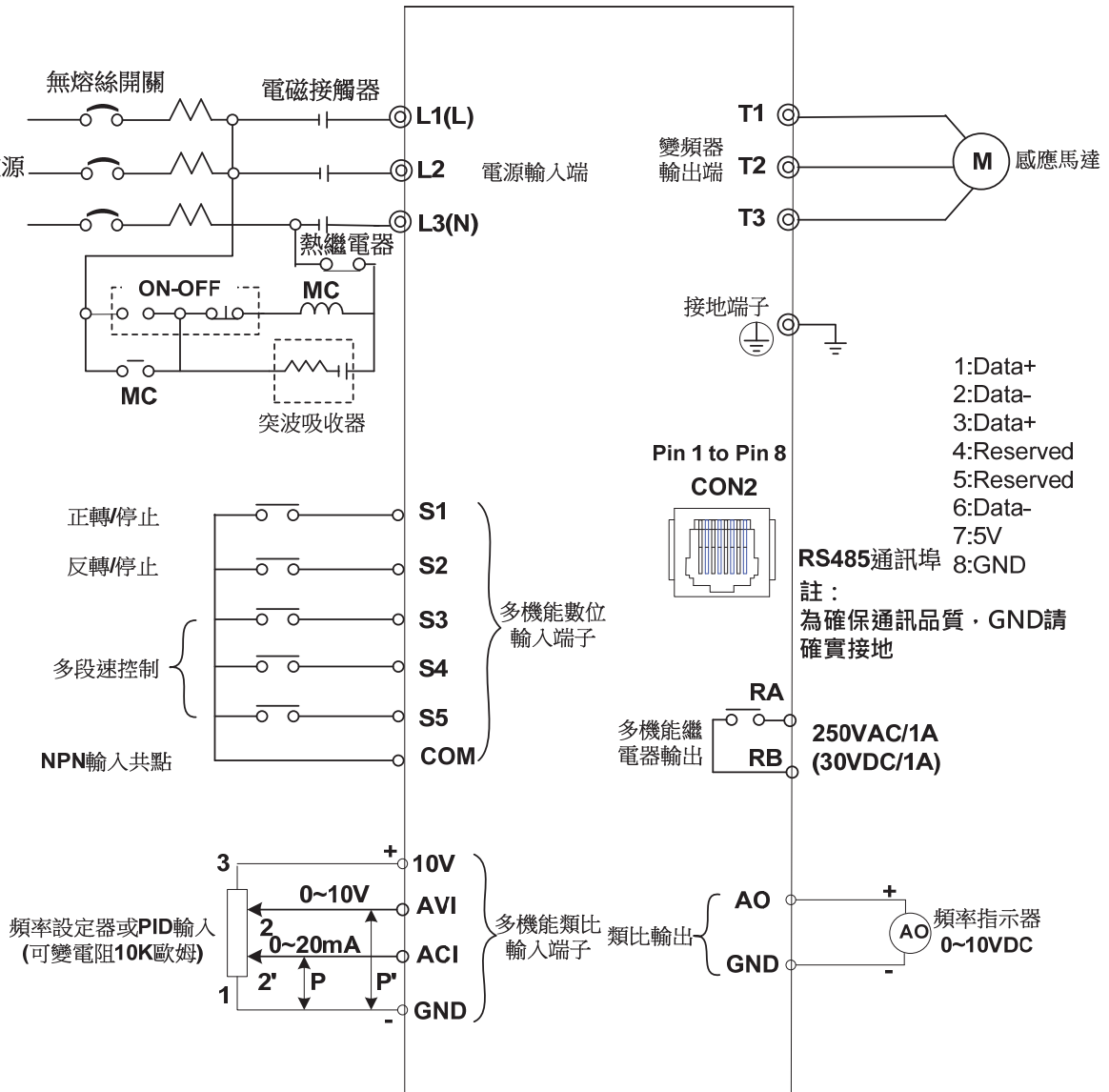
2.2.2 單相(PNP)輸入



對應型號:

200V : L510-2P2-SH1(F)-P, L510-2P5-SH1(F)-P,
L510-201-SH1(F)-P, L510-202-SH1(F)-P, L510-203-SH1(F)-P

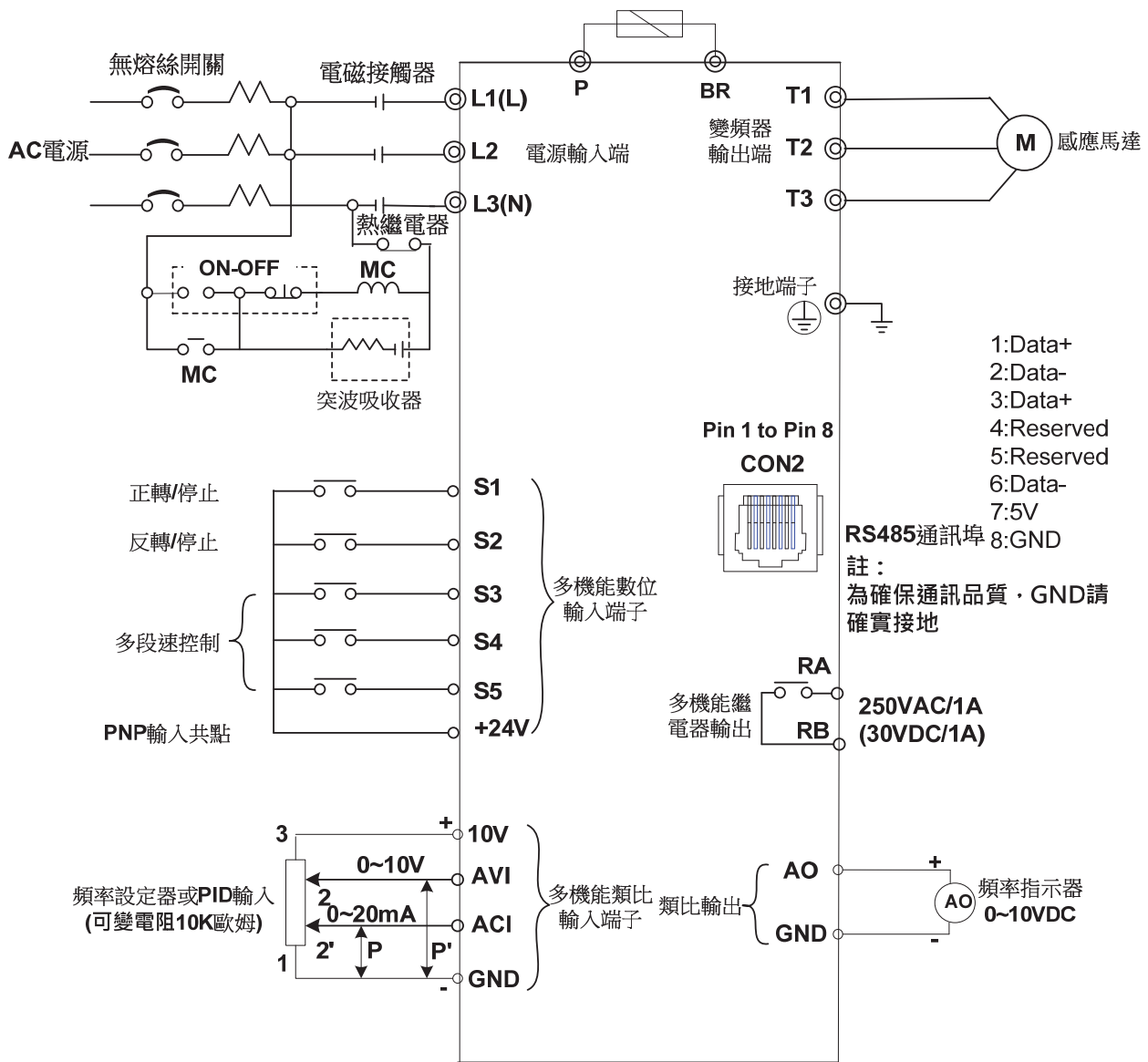
2.2.3 三相(NPN)輸入



對應型號：

- 200V： L510-2P2-SH3-N, L510-2P5-SH3-N, L510-201-SH3-N
L510-202-SH3-N, L510-203-SH3-N
- 400V： L510-401-SH3-N, L510-402-SH3-N, L510-403-SH3-N

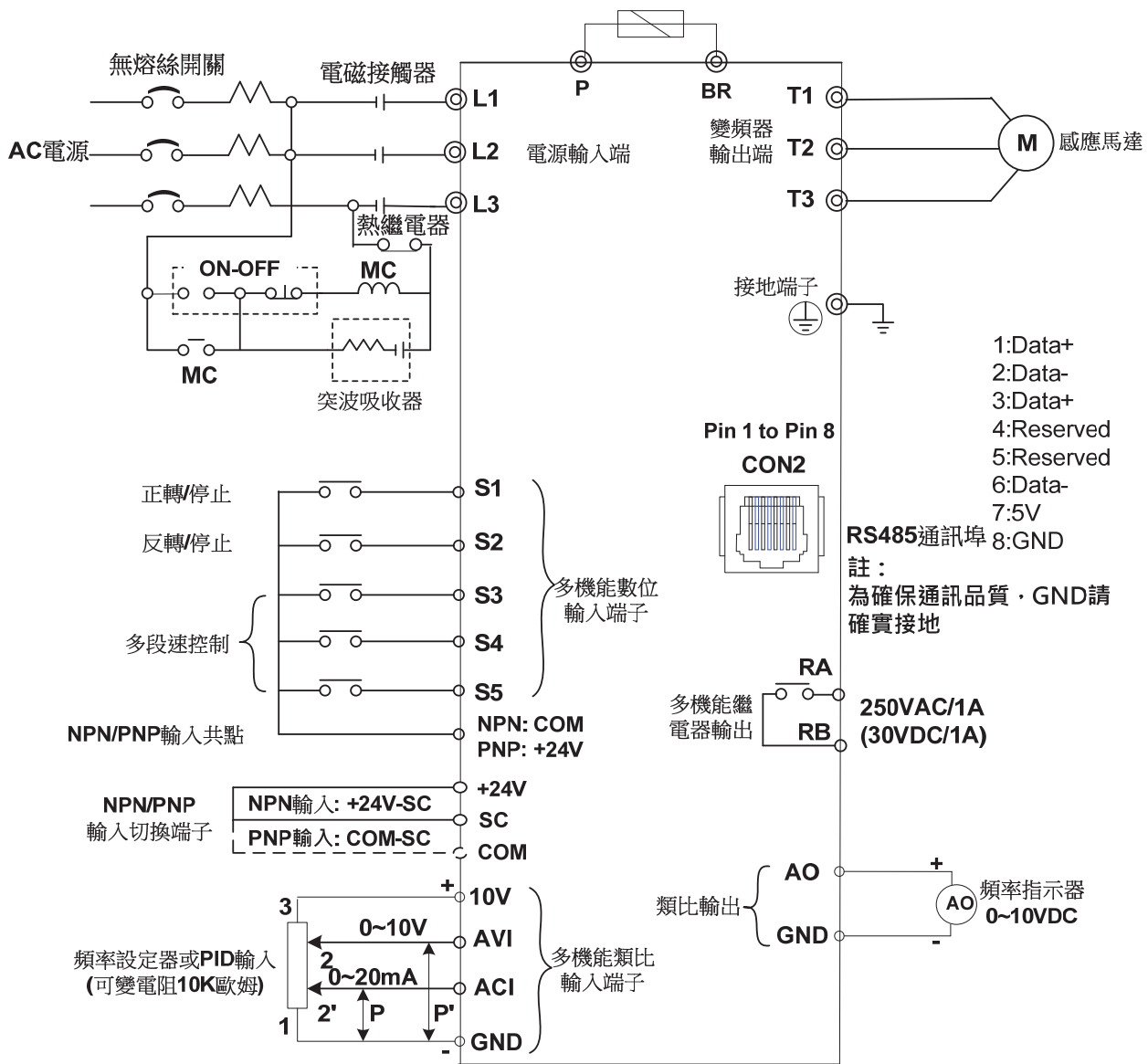
2.2.4 三相(PNP)輸入



對應型號：

400V： L510-401-SH3(F)-P, L510-402-SH3(F)-P, L510-403-SH3(F)-P

2.2.5 NPN/PNP 可切換機種



對應型號：

- 200V：L510-205-SH3, L510-208-SH3, L510-210-SH3
400V：L510-405-SH3(F), L510-408-SH3(F), L510-410-SH3(F), L510-415-SH3(F)

NPN/PNP輸入選擇

- PNP：** 1.連接SC與COM端子
2.+24v端子為S1~S5輸入端子之共點
NPN： 1.連接SC與+24V端子
2.使用COM端子為S1~S5輸入端子之共點

註：如未正確連接SC端子，變頻器之03參數群組(多功能端子)之功能將無法使用

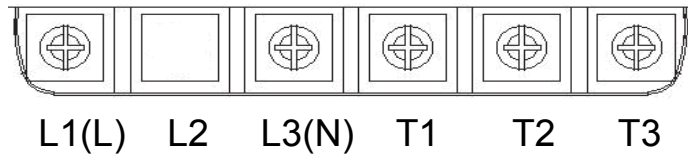
2.3 端子說明

2.3.1 主回路端子說明

端子符號	TM1 端子功能說明
L1(L)	交流電源輸入端，單相輸入機種：L1(L) / L3(N) 三相輸入機種(200V)：L1(L) / L2 / L3(N) 三相輸入機種(400V)：L1 / L2 / L3
L2	
L3(N)	
P*	制動電阻連接端子，當負載慣量大或減速時間短，而使變頻器容易過電壓跳脫時使用
BR*	
T1	變頻器的輸出端，連接馬達 U、V、W 端
T2	
T3	
⊕	接地端子

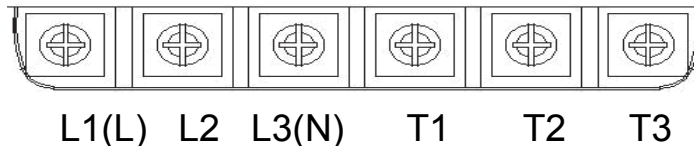
*P, BR 為 205/208/210/401/402/403/405/408/410/415 機種端子

單相：

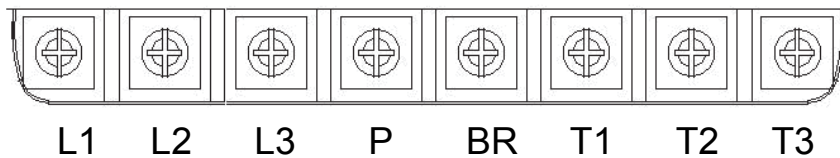


註：在 200V 單相機種，其對應端子以移除螺絲，避免誤接。

三相 (200V 機種)：



三相 (205&208&210&400V 機種)：

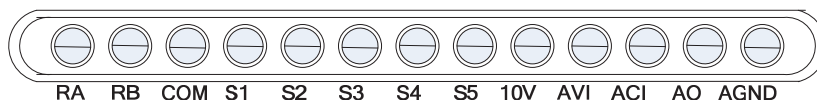


2.3.2 控制回路端子說明

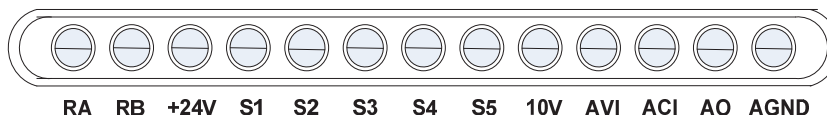
框號 1 & 框號 2

端子符號	TM2 端子功能說明	信號準位
RA	繼電器輸出端子,規格: 250VAC/1A(30VDC/1A)	250VAC/1A(30VDC/1A)
RB		
COM	S1~S5 的公共點【NPN 模式】	±15%, 最大輸出電流 30mA
+24V	S1~S5 的公共點【PNP 模式】	
S1~S5	多功能輸入端子(具體功能參見群組 3)	24 VDC, 4.5 mA 光耦合隔離(最大電壓30 Vdc, 輸入阻抗6kΩ)
10V	頻率設定電位器(VR)電源端子	10V(最大電流: 20mA)
AVI	類比電壓輸入, 規格: 0/2~10VDC(由 04-00 選擇)	0 到 10V(輸入阻抗: 200KΩ)
ACI	類比電流輸入, 規格: 0/4~20mA(由 04-00 選擇)	0 到 20mA(輸入阻抗: 249Ω)
AO	類比輸出正接點, 規格: 輸出最大 10VDC/1mA	0 到 10V(最大電流: 2mA)
AGND	類比接地端	

NPN 模式控制端子:



PNP 模式控制端子:

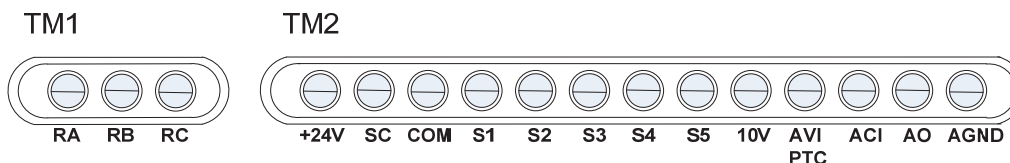


框號 3&框號 4

端子符號	TM1 端子功能說明
RA	繼電器輸出端子,規格: 250VAC/5A(30VDC/5A) RA:常開接點 RB:常閉接點 RC:共通接點
RB	
RC	

端子符號	TM2 端子功能說明	信號準位
+24V	S1~S5 的共點(PNP 輸入)	±15%, 最大輸出電流 30mA
SC	NPN/PNP 輸入之選擇端子 NPN 輸入請短接+24V 與 SC; PNP 輸入請短接 COM 與 SC 端子	
COM	S1~S5 的共點(NPN 輸入)	
S1~S5	多功能輸入端子(具體功能參見群組 3)	24 VDC, 4.5 mA 光耦合隔離(最大電壓 30Vdc, 輸入阻抗 6kΩ)
10V	頻率設定電位器(VR)電源端子(最大輸出 20mA)	10V(最大電流: 20mA)
AVI/PTC	類比電壓/馬達溫度保護訊號輸入, 0/2~10VDC(由 04-00 選擇)	0 到 10V(輸入阻抗: 200KΩ)
ACI	類比電流輸入, 0/4~20mA(由 04-00 選擇)	0 到 20mA(輸入阻抗: 249Ω)
AO	類比輸出接點, 輸出最大 10VDC/1mA	0 到 10V(最大電流: 2mA)
AGND	類比訊號接地端	

NPN/PNP 共用控制端子:



第 3 章 軟體索引

3.1 參數一覽表

參數群組	名稱
群組 00	基本功能群組
群組 01	V/F 控制功能群組
群組 02	馬達參數群組
群組 03	外部端子數位輸入輸出功能群組
群組 04	外部端子類比輸入輸出功能群組
群組 05	多段速功能群組
群組 06	自動程式運轉功能群組
群組 07	啟動停止控制功能群組
群組 08	保護功能群組
群組 09	通訊功能群組
群組 10	PID 功能群組
群組 11	輔助功能群組
群組 12	監視功能群組
群組 13	維護功能群組
群組 14	PUMP 參數群組

參數屬性	
*1	運轉中可修改的參數
*2	通訊中不可修改的參數
*3	參數值不會恢復為出廠預設值
*4	參數唯讀不可修改

◇：表示 v07 版手冊修改內容

群組 00 基本功能群組				
代碼	參數名稱	範圍	出廠設定	屬性
00-00	控制模式	0：V/F 模式 1：SLV 模式	0	
00-01	馬達轉向	0：正轉 1：反轉	0	*1
00-02	主運轉命令來源選擇	0：按鍵面板控制 1：外部端子控制 2：通訊控制	1	
00-03	副運轉命令來源選擇	0：按鍵面板控制 1：外部端子控制 2：通訊控制	0	
00-04	多功能端子運轉模式選擇	0：正轉/停止-反轉/停止 1：運轉/停止-正轉/反轉 2：3 線制運轉/停止 3：有自保機能 2 線制啟停	0	◇
00-05	主頻率命令來源選擇	0：按鍵面板上下鍵設定 1：按鍵面板旋鈕設定 2：外部端子 AVI 設定 3：外部端子 ACI 設定 4：外部端子 UP/DOWN 設定 5：通訊控制設定 6：PID 設定	2	
00-06	副頻率命令來源選擇	0：按鍵面板上下鍵設定 1：按鍵面板旋鈕設定 2：外部端子 AVI 設定 3：外部端子 ACI 設定 4：外部端子 UP/DOWN 設定 5：通訊控制設定 6：PID 設定	0	
00-07	頻率源組合模式選擇	0：主頻率源與副頻率源切換 1：主頻率源+副頻率源	0	
00-08	通訊頻率命令	0.00~599.00		*4
00-09	頻率命令記憶模式	0：不記憶關電前通訊頻率命令 1：記憶關電前通訊頻率命令	0	
00-10	停機時初始	0：依目前頻率命令	0	

群組 00 基本功能群組				
代碼	參數名稱	範圍	出廠設定	屬性
	頻率命令模式	1：頻率命令歸零 2：依參數 00-11 設定值		
00-11	停機時初始頻率命令設定	0.00~599.00	50.00/60.00	
00-12	頻率上限	0.01~599.00	50.00/60.00	
00-13	頻率下限	0.00~598.99	0.00	
00-14	加速時間 1	0.1~3600.0	10.0	*1
00-15	減速時間 1	0.1~3600.0	10.0	*1
00-16	加速時間 2	0.1~3600.0	10.0	*1
00-17	減速時間 2	0.1~3600.0	10.0	*1
00-18	寸動頻率	1.00~25.00	2.00	*1
00-19	寸動加速時間	0.1~25.5	0.5	*1
00-20	寸動減速時間	0.1~25.5	0.5	*1
00-21	應用場合選擇	0：關閉 3：水泵專用參數	0	◇

群組 01 V/F 控制功能群組				
代碼	參數名稱	範圍	出廠設定	屬性
01-00	V/F 曲線選擇	1~7	1/4	
01-01	V/F 最大輸出電壓	200V：170.0~264.0 400V：323.0~528.0	依 13-08 出廠設定	
01-02	最大輸出頻率	0.2 ~ 599.00	50.00/60.00	
01-03	最大輸出電壓比	0.0 ~ 100.0	100.0	
01-04	中間輸出頻率 2	0.1 ~ 599.00	2.50/3.00	
01-05	中間輸出電壓比 2	0.0 ~ 100.0	7.5/6.8	◇
01-06	中間輸出頻率 1	0.1 ~ 599.00	2.50/3.00	
01-07	中間輸出電壓比 1	0.0 ~ 100.0	7.5/6.8	◇
01-08	最小輸出頻率	0.1 ~ 599.00	1.30/1.50	
01-09	最小輸出電壓比	0.0 ~ 100.0	4.5/3.4	◇
01-10	轉矩補償增益(V/F 曲線修正)	0 ~ 10.0	0.0	*1
01-11	V/F 啟動頻率	0.00~10.00	0.00	

群組 01 V/F 控制功能群組				
代碼	參數名稱	範圍	出廠設定	屬性
01-12	空載振盪抑制增益	0.0~200.0	0	
01-13	Dehunt 濾波係數	1~8192	800	
01-14	Dehunt 增益 Gain	0~100	0	◇
01-15	Dehunt 限制 Limit	0~100.0	5.0	
01-16	自動轉矩補償值濾波係數	0.1~1000.0	0.1	
01-17	自動轉矩補償增益	0~100	0	
01-18	自動轉矩補償頻率點	1.30~5.00	2	

群組 02 馬達參數群組				
代碼	參數名稱	範圍	出廠設定	屬性
02-00	馬達空載電流	---	依馬達銘牌	*4
02-01	馬達額定電流(OL1)	---	依馬達銘牌	*4
02-02	V/F 滑差補償增益	0.0 ~ 100.0	0.0	*1
02-03	馬達額定轉速	---	依馬達銘牌	*4
02-04	馬達額定電壓	---	依馬達銘牌	*4
02-05	馬達額定功率	0~22.0	依馬達銘牌	
02-06	馬達額定頻率	0~599.0	依馬達銘牌	
02-07	馬達參數自動調校	0：不執行 1：執行馬達參數靜態調校	0	
02-08	定子電阻增益	0~600	依機種別	
02-09	轉子電阻增益	0~600	依機種別	
02-10	預留			
02-11	預留			
02-12	預留			
02-13	SLV 滑差補償增益	0~200	依機種別	
02-14	SLV 轉矩補償增益	0~200	100	
02-15	低頻補償增益	0~100	50	
02-16	SLV 無載滑差補償增益	0~200	依機種別	

群組 02 馬達參數群組				
代碼	參數名稱	範圍	出廠設定	屬性
02-17	SLV 有載滑差補償增益	0~200	150	
02-18	SLV 有載轉矩補償增益	0~200	100	
02-19	SLV 滑差補償方式選擇	0：滑差補償方式 1 1：滑差補償方式 2	0	

群組 03-外部端子數位輸入輸出功能群組				
代碼	參數名稱	範圍	出廠設定	屬性
03-00	多功能端子 S1 功能設定	0：正轉/停止 1：反轉/停止 2：多段速設定位元 0 (5-02) 3：多段速設定位元 1 (5-03)	0	
03-01	多功能端子 S2 功能設定	4：多段速設定位元 2 (5-05) 6：寸動正轉指令 7：寸動反轉指令 8：Up 增頻率指令 9：Down 減頻率指令	1	
03-02	多功能端子 S3 功能設定	10：加/減速時間 2 11：加/減速禁止 12：主/副運轉命令切換	2	
03-03	多功能端子 S4 功能設定	13：主/副頻率命令切換 14：緊急停止(減速到零停止) 15：遮斷停止(自由運轉停止)	3	
03-04	多功能端子 S5 功能設定	16：PID 功能禁止 17：故障復歸 (Reset) 18：自動程式運轉 19：強制頻率運轉 20：切換第二組壓力誤差範圍	17	
03-05	預留			
03-06	up/down 頻率幅寬設定	0.00~5.00	0.00	
03-07	up/down 頻率保持選擇	0：當使用增/減頻率指令時，變頻器停止運轉設定的頻率將被保持 1：設定的頻率將被歸至 0 Hz 2：設定的頻率將被保持，停機時增/減頻率功能有效	0	

群組 03-外部端子數位輸入輸出功能群組				
代碼	參數名稱	範圍	出廠設定	屬性
03-08	S1~S5 信號 確認掃描時間	1~200	10	
03-09	S1~S5 接點 類型選擇	xxxx0 : S1 常開接點 xxxx1 : S1 常閉接點 xxx0x : S2 常開接點 xxx1x : S2 常閉接點 xx0xx : S3 常開接點 xx1xx : S3 常閉接點 x0xxx : S4 常開接點 x1xxx : S4 常閉接點 0xxxx : S5 常開接點 1xxxx : S5 常閉接點	00000	
03-10	預留			
03-11	繼電器 RY1	0 : 運轉中 1 : 故障指示 2 : 設定頻率到達 3 : 任意頻率到達 (03-13±03-14) 4 : 頻率檢出 1 (> 03-13) 5 : 頻率檢出 2 (< 03-13) 6 : 自動再啟動 7 : 瞬停動作 8 : 緊急停止 9 : 遮斷停止 10 : 馬達過載保護 (OL1) 11 : 變頻器過載保護 (OL2) 12 : 預留 13 : 電流到達 14 : 機械煞車控制功 能 15 : PID 回饋斷線檢 出 16 : 過高壓力警告/ 錯誤 17 : 過低壓力警告/ 錯誤 18 : 失壓檢測警告/ 錯誤	1	
03-13	任意頻率到 達設定	0.00~599.00	0.00	*1
03-14	頻率輸出偵 測範圍(±)	0.00~30.00	2.00	*1
03-15	電流到達準 位	0.1~999.9	0.1	
03-16	電流到達檢 測延遲時間	0.1~10.0	0.1	
03-17	機械煞車釋	0.00~20.00	0.00	

群組 03-外部端子數位輸入輸出功能群組					
代碼	參數名稱	範圍	出廠設定	屬性	
	放準位設定				
03-18	機械煞車動 作準位設定	0.00~20.00	0.00		
03-19	繼電器輸出 接點模式	0 : A 接點(常開) 1 : B 接點(常閉)	0		
03-20	剎車晶體動 作準位元	100/200V: 240.0~400.0V 400V: 500.0~800.0V	100/220/230 V: 380/400V: 415/460V:	380 690 780	◇
03-21	剎車晶體釋 放準位元	100/200V: 240.0~400.0V 400V: 500.0~800.0V	100/220/230 V: 380/400V: 415/460V:	360 650 740	◇

群組 04 外部端子模擬量輸入輸出功能群組				
代碼	參數名稱	範圍	出廠設定	屬性
04-00	AVI 與 ACI 輸入信號種 類	0 : 0~10V 0~20mA 1 : 0~10V 4~20mA 2 : 2~10V 0~20mA 3 : 2~10V 4~20mA	0	
04-01	AVI 信號掃 描濾波時間	1~200	50	
04-02	AVI 增益值	0 ~ 1000	100	*1
04-03	AVI 偏置值	0 ~ 100	0	*1
04-04	AVI 偏置值 正負選擇	0 : 正向 1 : 負向	0	*1
04-05	AVI 信號方 向控制選擇	0 : 正向 1 : 負向	0	*1
04-06	ACI 信號掃 描濾波時間	1~200	50	
04-07	ACI 增益值	0 ~ 1000	100	*1
04-08	ACI 偏置值	0 ~ 100	0	*1
04-09	ACI 偏置值 正負選擇	0 : 正向 1 : 負向	0	*1
04-10	ACI 信號方 向控制選擇	0 : 正向 1 : 負向	0	*1
04-11	類比輸出種 類選擇 AO	0 : 輸出頻率 1 : 頻率設定 2 : 輸出電壓 3 : 直流電壓 4 : 輸出電流	0	*1
04-12	類比輸出 AO 增益	0 ~ 1000	100	*1
04-13	類比輸出 AO 偏置	0 ~ 100	0	*1
04-14	AO 偏置值 正負選擇	0 : 正向 1 : 負向	0	*1

群組 04 外部端子模擬量輸入輸出功能群組				
代碼	參數名稱	範圍	出廠設定	屬性
04-15	AO 信號方向控制選擇	0：正向 1：負向	0	*1
04-16	Keypad 旋鈕增益值	0~1000	100	*1
04-17	Keypad 旋鈕偏壓值	0~100	0	*1
04-18	Keypad 旋鈕偏壓值正負	0：正向 1：負向	0	*1
04-19	Keypad 旋鈕信號方向	0：正向 1：負向	0	*1

群組 05 多段速功能群組				
代碼	參數名稱	範圍	出廠設定	屬性
05-00	多段速加減速模式選擇	0：段速加減速時間由加減速時間 1/加減速時間 2 設定 1：段速加減速時間獨立設定	0	
05-01	多段速頻率設定 0 (面板頻率)	0.00 ~ 599.00	5.00	*1
05-02	多段速 1 頻率設定	0.00 ~ 599.00	5.00	*1
05-03	多段速 2 頻率設定	0.00 ~ 599.00	10.00	*1
05-04	多段速 3 頻率設定	0.00 ~ 599.00	20.00	*1
05-05	多段速 4 頻率設定	0.00 ~ 599.00	30.00	*1
05-06	多段速 5 頻率設定	0.00 ~ 599.00	40.00	*1
05-07	多段速 6 頻率設定	0.00 ~ 599.00	50.00	*1
05-08	多段速 7 頻率設定	0.00 ~ 599.00	50.00	*1
05-09 ~ 05-16	預留			
05-17	多段速 0 加速時間設定	0.1 ~ 3600.0	10.0	*1
05-18	多段速 0 減速時間設定	0.1 ~ 3600.0	10.0	*1
05-19	多段速 1 加速時間設定	0.1 ~ 3600.0	10.0	*1
05-20	多段速 1 減速時間設定	0.1 ~ 3600.0	10.0	*1
05-21	多段速 2 加速時間設定	0.1 ~ 3600.0	10.0	*1
05-22	多段速 2 減速時間設定	0.1 ~ 3600.0	10.0	*1

群組 05 多段速功能群組				
代碼	參數名稱	範圍	出廠設定	屬性
05-23	多段速 3 加速時間設定	0.1 ~ 3600.0	10.0	*1
05-24	多段速 3 減速時間設定	0.1 ~ 3600.0	10.0	*1
05-25	多段速 4 加速時間設定	0.1 ~ 3600.0	10.0	*1
05-26	多段速 4 減速時間設定	0.1 ~ 3600.0	10.0	*1
05-27	多段速 5 加速時間設定	0.1 ~ 3600.0	10.0	*1
05-28	多段速 5 減速時間設定	0.1 ~ 3600.0	10.0	*1
05-29	多段速 6 加速時間設定	0.1 ~ 3600.0	10.0	*1
05-30	多段速 6 減速時間設定	0.1 ~ 3600.0	10.0	*1
05-31	多段速 7 加速時間設定	0.1 ~ 3600.0	10.0	*1
05-32	多段速 7 減速時間設定	0.1 ~ 3600.0	10.0	*1

群組 06-自動程式運轉功能群組				
代碼	參數名稱	範圍	出廠設定	屬性
06-00	自動程式運轉模式選擇	0：自動程式運轉無效 1：執行單一週期之自動運轉模式，停止後會由停止前的速度起，繼續運轉 2：連續迴圈週期之自動運轉模式，停止後會由停止前的速度起，繼續運轉 3：單一週期結束後，以最後一段運轉速度繼續運轉；停止後會由停止前的速度起，繼續運轉 4：執行單一週期之自動運轉模式，停止後會從第一段速起，開始運轉 5：連續迴圈週期之自動運轉模式，停止後會從第一段速起，開始運轉	0	

群組 06-自動程式運轉功能群組				
代碼	參數名稱	範圍	出廠設定	屬性
		6：單一週期結束後，以最後一段段運轉速度繼續運轉；停止後會從第一段速起，開始運轉		
第 0 段速的頻率通過參數 05-01 來設定				
06-01	第 1 段速頻率設定	0.00~599.00	0.00	*1
06-02	第 2 段速頻率設定	0.00~599.00	0.00	*1
06-03	第 3 段速頻率設定	0.00~599.00	0.00	*1
06-04	第 4 段速頻率設定	0.00~599.00	0.00	*1
06-05	第 5 段速頻率設定	0.00~599.00	0.00	*1
06-06	第 6 段速頻率設定	0.00~599.00	0.00	*1
06-07	第 7 段速頻率設定	0.00~599.00	0.00	*1
06-08 ~ 06-15	預留			
06-16	第 0 段運行時間設定	0.0 ~ 3600.0	0.0	*1
06-17	第 1 段運行時間設定	0.0 ~ 3600.0	0.0	*1
06-18	第 2 段運行時間設定	0.0 ~ 3600.0	0.0	*1
06-19	第 3 段運行時間設定	0.0 ~ 3600.0	0.0	*1
06-20	第 4 段運行時間設定	0.0 ~ 3600.0	0.0	*1
06-21	第 5 段運行時間設定	0.0 ~ 3600.0	0.0	*1
06-22	第 6 段運行時間設定	0.0 ~ 3600.0	0.0	*1
06-23	第 7 段運行時間設定	0.0 ~ 3600.0	0.0	*1
06-24 ~ 06-31	預留			
06-32	第 0 段運行轉向選擇	0：停止 1：正轉 2：反轉	0	
06-33	第 1 段運行轉向選擇	0：停止 1：正轉 2：反轉	0	
06-34	第 2 段運行轉向選擇	0：停止 1：正轉 2：反轉	0	
06-35	第 3 段運行轉向選擇	0：停止 1：正轉 2：反轉	0	
06-36	第 4 段運行轉向選擇	0：停止 1：正轉 2：反轉	0	
06-37	第 5 段運行轉向選擇	0：停止 1：正轉 2：反轉	0	

群組 06-自動程式運轉功能群組				
代碼	參數名稱	範圍	出廠設定	屬性
06-38	第 6 段運行轉向選擇	0：停止 1：正轉 2：反轉	0	
06-39	第 7 段運行轉向選擇	0：停止 1：正轉 2：反轉	0	

群組 07 啟動停止控制功能群組				
代碼	參數名稱	範圍	出廠設定	屬性
07-00	低壓瞬停再啟動	0：瞬停再啟動無效 1：瞬停再啟動有效	0	
07-01	自動復歸再啟動時間	0.0~6000.0	0.0	
07-02	自動復歸再啟動次數	0~10	0	
07-03	復歸模式設定	0：當 RUN 指令存在時，復歸指令無效 1：復歸指令與 RUN 指令狀態無關	0	
07-04	開機後直接啟動	0：外部運轉命令有效時，送電直接啟動 1：外部運轉命令有效時，送電不可直接啟動	1	
07-05	開機直接啟動延時	1.0~300.0	1.0	
07-06	停止時直流煞車頻率	0.10 ~ 10.00	1.5	
07-07	停止時直流制動准位	0 ~ 20 (Frame1/2) 最大輸出電壓的 20% 0 ~ 100 (Frame3/4) 變頻器額定電流	5 50	
07-08	停止時直流煞車時間	0.0 ~ 25.5	0.5	
07-09	停止方式	0：減速停止 1：自由停止	0	
07-10	啟動時直流煞車準位	0~20 (Frame1/2) 最大輸出電壓的 20% 0~100 (Frame3/4) 變頻器額定電流	0 50	
07-11	啟動時直流煞車時間	0.0~25.5	0.0	
07-12	運轉狀態記憶	0：重新送電後有運轉命令記憶功能 1：重新送電後無運轉命令記憶功能	1	

*修改 14-00=0，07-12 自動變為 1，修改 14-00=1，07-12 自動變為 0

群組 08 保護功能群組				
代碼	參數名稱	範圍	出廠設定	屬性
08-00	失速防止功能	xxxx0：加速時失速防止有效	00000	
		xxxx1：加速時失速防止無效		
		xxx0x：減速時失速防止有效		
		xxx1x：減速時失速防止無效		
		xx0xx：運轉中失速防止有效		
		xx1xx：運轉中失速防止無效		
		x0xxx：運轉中過電壓防止有效		
x1xxx：運轉中過電壓防止無效				
08-01	加速失速防止準位元	50 ~ 200	依機種別	
08-02	減速失速防止準位	50 ~ 200	依機種別	
08-03	運轉失速防止準位	50 ~ 200	依機種別	
08-04	運轉過電壓防止準位	200V: 350.0~390.0 400V: 700.0~780.0	380.0/ 760.0	*1
08-05	電子電譯保護電機 OL1	xxxx0：馬達超載無效	00001	
		xxxx1：馬達超載有效		
		xxx0x：馬達超載冷啟動		
		xxx1x：馬達超載暖開機		
		xx0xx：標準馬達		
xx1xx：變頻馬達				
08-06	過載(OL1)保護動作啟動方式	0：過載保護後停止輸出(自由運轉停止)	0	
		1：過載保護後繼續運轉(僅顯示 OL1)		
08-07	OH 過熱保護風扇控制方式	0：感溫自動運轉	1	
		1：RUN 機中運轉		
		2：持續運轉		
		3：停止運轉		
08-08	自動穩壓功能(AVR)	0：AVR 有效	4	
		1：AVR 無效		
		2：AVR 在“stop”停		

群組 08 保護功能群組				
代碼	參數名稱	範圍	出廠設定	屬性
		機時無效 3：AVR 在減速時無效(高頻->低頻) 4：AVR 在減速和“stop”停機時無效 5：AVR 在減速和“stop”停機時無效(當 VDC>360V/740V 時)		
08-09	輸入欠相保護	0：無效 1：有效	0	
08-10	PTC 功能選擇	0：無效	0	
		1：減速停止		
		2：自由停止		
		3：持續運轉(到達警告准位持續運轉，到達保護准位後停止)		
08-11	PTC 輸入濾波時間	0.01~10.00	0.2	
08-12	馬達過熱保護延遲時間	1~300	60	
08-13	PTC 保護准位	0.1~10.0	0.7	
08-14	PTC 複歸准位	0.1~10.0	0.3	
08-15	PTC 警告准位	0.1~10.0	0.5	
08-16	風扇溫度啟動值	10.0~50.0	50.0	
08-17	過電流保護準位	0.0~60.0	0.0	
08-18	過電流保護時間	0.0~1500.0	1.0	
08-19	馬達過載(OL1)保護準位	0：馬達過載(OL1)保護 0 1：馬達過載(OL1)保護 1 2：馬達過載(OL1)保護 2	0	-

群組 09 通訊功能群組				
代碼	參數名稱	範圍	出廠設定	屬性
09-00	變頻器通訊站別	1 ~ 32	1	*2*3
09-01	RTU 碼 /ASCII 碼選擇	0：Modbus RTU 碼 1：Modbus ASCII 碼	0	*2*3

群組 09 通訊功能群組				
代碼	參數名稱	範圍	出廠設定	屬性
		2 : BACnet(內含 PUMP 並聯機種無此功能)		
09-02	串列傳輸速率設定	0 : 4800 1 : 9600 2 : 19200 3 : 38400 4 : 外拉面板有效	2	*2*3 ◇
09-03	停止位元選擇	0 : 1 停止位元 1 : 2 停止位元	0	*2*3
09-04	奇偶位選擇	0 : 無奇偶位元 1 : 偶位 2 : 奇位	0	*2*3
09-05	資料位元選擇	0 : 8 位元數據 1 : 7 位元數據	0	*2*3
09-06	通訊異常檢測時間	0.0~25.5	0.0	
09-07	通訊異常檢出處理	0 : 通訊中斷後依第一段減速時間停止並顯示 COT 1 : 通訊中斷後採取自由運轉停止並顯示 COT 2 : 通訊中斷後依第二段減速時間停止並顯示 COT 3 : 通訊中斷後繼續運轉並顯示 COT	0	
09-08	Err6 容錯次數	0~20	3	
09-09	通訊等待時間	5~65	5	
09-10	BACnet 設備站別	1~254	1	*2*3

群組 10 PID 功能群組				
代碼	參數名稱	範圍	出廠設定	屬性
10-00	PID 目標值來源設定 (00-05/00-06=6 此參數功能啟用)	0 : Keypad 旋鈕設定 1 : 類比 AVI 設定 2 : 類比 ACI 設定 3 : 通訊設定 4 : 由 10-02 設定 5 : 多段速 PID 來源	1	*1
10-01	PID 回饋值來源設定	0 : Keypad 旋鈕設定 1 : 類比 AVI 設定 2 : 類比 ACI 設定	2	*1

群組 10 PID 功能群組				
代碼	參數名稱	範圍	出廠設定	屬性
		3 : 通訊設定		
10-02	PID 鍵盤設定	0.0~100.0	50.0	*1
10-03	PID 運轉模式選擇	0 : PID 運轉功能無效 1 : PID 控制, 偏差 D 值控制 2 : PID 控制, 回饋 D 值控制 3 : PID 控制, 偏差 D 值反特性控制 4 : PID 控制, 回饋 D 值反特性控制 5 : PID 控制, 頻率命令+偏差 D 值控制 6 : PID 控制, 頻率命令+回饋 D 值控制 7 : PID 控制, 頻率命令+偏差 D 值反特性控制 8 : PID 控制, 頻率命令+回饋 D 值反特性控制	0	
10-04	回饋比例係數	0.00 ~ 10.00	1.00	*1
10-05	比例增益	0.0 ~ 10.0	3.0	*1
10-06	積分時間	0.0 ~ 100.0	0.5	*1
10-07	微分時間	0.00 ~ 10.00	0.00	*1
10-08	PID 偏置	0 : 正方向 1 : 負方向	0	*1
10-09	PID 偏置調整	0 ~ 109	0	*1
10-10	PID 一次延遲過濾時間	0.0 ~ 2.5	0.0	*1
10-11	回饋信號斷線時檢出模式	0 : 不檢出 1 : 檢出運轉 2 : 檢出停止	0	
10-12	回饋信號斷線檢出準位比例係數	0 ~ 100	0	
10-13	回饋信號斷線時檢出延遲時間	0.0 ~ 25.5	1.0	
10-14	積分極限值比例係數	0 ~ 109	100	*1
10-15	回饋信號到達設定值時積分器歸零	0 : 無效 1 : 1 Sec 30 : 30 Sec 0 ~ 30	0	

群組 10 PID 功能群組				
代碼	參數名稱	範圍	出廠設定	屬性
10-16	允許誤差範圍(單位值) (1 單元 =1/8192)	0 ~ 100	0	
10-17	PID 休眠起始頻率	0.00 ~ 599.00	0.00	
10-18	PID 休眠延遲時間	0.0 ~ 25.5	0.0	
10-19	PID 喚醒起始頻率	0.00 ~ 599.00	0.00	
10-20	PID 喚醒延遲時間	0.0 ~ 25.5	0.0	
10-21	PID 回饋最大值設定	0 ~ 999	100	*1
10-22	PID 回饋最小值設定	0 ~ 999	0	*1

群組 11 輔助功能群組				
代碼	參數名稱	範圍	出廠設定	屬性
11-00	反轉禁止指令	0：反轉指令有效 1：反轉指令無效	0	
11-01	載波頻率	1~16	5	
11-02	載波模式選擇	0：載波模式 0 三相調變 1：載波模式 1 兩相調變 2：載波模式 2 兩相隨機調變	1	
11-03	載波頻率隨溫度降低選擇	0：降低載波無效 1：降低載波有效	0	
11-04	第 1 段加速 S 曲線時間設定	0.0 ~ 4.0	0.00	
11-05	第 2 段加速 S 曲線時間設定	0.0 ~ 4.0	0.00	
11-06	第 3 段減速 S 曲線時間設定	0.0 ~ 4.0	0.00	
11-07	第 4 段減速 S 曲線時間設定	0.0 ~ 4.0	0.00	
11-08	跳躍頻率 1	0.00 ~ 599.00	0.00	*1
11-09	跳躍頻率 2	0.00 ~ 599.00	0.00	*1
11-10	跳躍頻率 3	0.00 ~ 599.00	0.00	*1
11-11	跳躍頻率範圍(±)	0.00 ~ 30.00	0.00	*1
11-12	預留			
11-13	再生回避動作選擇	0：再生回避功能無效	0	

群組 11 輔助功能群組				
代碼	參數名稱	範圍	出廠設定	屬性
		1：再生回避功能始終有效 2：僅在恆速運行時，再生回避功能有效		
11-14	再生回避動作水準	200v：300.0~400.0 400v：600.0~800.0	380/760	
11-15	再生回避補償頻率限制值	0.00~15.00Hz:再生回避功能啟動時上升的頻率的限制值	3.00	
11-16	再生回避電壓增益	0~200	100	
11-17	再生回避頻率增益	0~200	100	
11-18	速度回路比例增益	0~65535	10000	
11-19	速度回路積分增益	0 ~ 65535	800	
11-20	速度回路微分增益	0 ~ 65535	0	
11-21	Stop 鍵功能選擇	0：運轉指令不由操作器提供時，停止鍵有效 1：運轉指令不由操作器提供時，停止鍵無效	0	-

群組 12 監視功能群組				
代碼	參數名稱	範圍	出廠設定	屬性
12-00	顯示畫面選擇	00000~77777 每一位的範圍為 0~7 0：不顯示畫面 1：變頻器輸出電流 2：變頻器輸出電壓 3：變頻器直流電壓 4：散熱片溫度 5：PID 回饋值 6：AVI 值 7：ACI 值	00321	*1
12-01	PID 回饋顯示模式	0：以整數顯示回饋值(xxx) 1：以小數點 1 位元顯示回饋值(xx.x) 2：以小數點 2 位元顯示回饋值(x.xx)	0	*1

群組 12 監視功能群組				
代碼	參數名稱	範圍	出廠設定	屬性
12-02	PID 回饋顯示單位設定	0：xxx_(無單位) 1：xxxpb(壓力) 2：xxxfl(流量)	0	*1
12-03	線速度顯示	0~65535	1500/ 1800	*1
12-04	線速度顯示模式	0：顯示變頻器輸出頻率 1：以整數顯示線速度(xxxxx) 2：以小數點 1 位顯示線速度(xxxx.x) 3：以小數點 2 位顯示線速度(xxx.xx) 4：以小數點 3 位顯示線速度(xx.xxx)	0	*1
12-05	顯示輸入輸出端子狀態		----	*4
12-06	輸出功率	----	0.0	
12-07	馬達電流比	----	0	

群組 13 維護功能群組				
代碼	參數名稱	範圍	出廠設定	屬性
13-00	變頻器馬力值	----	-	*3
13-01	軟體版本	----	-	*3 *4
13-02	故障記錄	----	-	*3 *4
13-03	累積工作時間 1	0~23	-	*3
13-04	累積工作時間 2	0~65535	----	*3
13-05	累積工作時間選擇	0：通電時累積時間 1：運轉時累積時間	0	*3
13-06	參數鎖定	0：所有參數可寫 1：參數 5-01~5-08 不可更改，其他參數均可更改 2：參數 5-01~5-08 可更改，其他參數均不可更改 3：參數 13-06 可修改，其他參數均不可修改 4：參數 00-00 不	0	

群組 13 維護功能群組				
代碼	參數名稱	範圍	出廠設定	屬性
		可修改，不可恢復出廠設定，其他參數均可更改		
13-07	參數密碼功能	00000~65535	000 00	
13-08	恢復出廠設定	1150：將參數復歸為出廠值 (50Hz,220V/380V 機種) 1160：將參數復歸為出廠值 (60Hz,220V/380V 機種) 1250：將參數復歸為出廠值 (50HZ,230V/400V 機種) 1260：將參數復歸為出廠值 (60Hz,230V/460V 機種) 1350：將參數復歸為出廠值 (50HZ,220V/415V 機種) 1360：將參數復歸為出廠值 (60HZ,230V/400V 機種)	125 0/1 360 (註)	

註：有內建濾波器之機種，參數 13-08 之出廠預設值為 1250
無內建濾波器之機種，參數 13-08 之出廠預設值為 1360

群組 14 PUMP 參數群組				
代碼	參數名稱	範圍	出廠設定	屬性
14-00	機能選擇	0：無效 1：泵浦機能	0	
14-01	單/多泵浦與主副機設定	0：單泵浦 1：多泵浦-主機 2：多泵浦-副機 1 3：多泵浦-副機 2 4：多泵浦-副機 3	0	
14-02	工作壓力設定	0.1~(14-03 設定值)	4.00	
14-03	壓力傳送器最大壓力設定	0.1~650	10.00	
14-04	泵浦壓力命令來源	0：由 14-02 參數設定 1：由 AI 設定	0	

群組 14 PUMP 參數群組				
代碼	參數名稱	範圍	出廠設定	屬性
14-05	壓力顯示方式選擇	0：同時顯示目標壓力與回授壓力 (14-03 設定值須小於 99) 1：僅顯示目標壓力 2：僅顯示回授壓力	0	
14-06	比例增益	0.00~10.00	3.00	
14-07	積分時間	0.0~100.0	0.5	
14-08	微分時間	0.00~10.00	0.00	
14-09	恆壓誤差範圍	當 14-20=0：範圍值 0.00~650.00 當 14-20=1：範圍值 0~100	5	
14-10	恆壓休眠頻率	0.00~599.00	30.00	
14-11	恆壓休眠時間	0.0~255.5	0.0	
14-12	最大壓力限制	當 14-20=0：範圍值 0.00~650.00 當 14-20=1：範圍值 0~100	50	
14-13	高壓警告時間	0.0~600.0	10	
14-14	高壓停機時間	0.0~600.0	20	
14-15	最小壓力限制	當 14-20=0：範圍值 0.00~650.00 當 14-20=1：範圍值 0~100	5	
14-16	低壓警告時間	0.0~600.0	0.0	
14-17	低壓停機時間	0.0~600.0	0.0	
14-18	失壓檢測時間	0.0~600.0	0.0	
14-19	失壓檢測比例	0~100	0	
14-20	壓力百分比切換	0：壓力 1：百分比	1	
14-22	副機輔助打水停機頻率	0.00~599.00	45.00	
14-23	用水檢測方向選擇	0：用水檢測向上 1：用水檢測向下	1	
14-24	用水檢測壓力範圍	當 14-20=0：範圍值 0.00~65.00 當 14-20=1：範圍值 0~10	1	
14-25	用水檢測周期	0.0~200.0	30.0	
14-26	用水檢測加速時間	0.1~3600.0	12.0	

群組 14 PUMP 參數群組				
代碼	參數名稱	範圍	出廠設定	屬性
14-27	用水檢測減速時間	0.1~3600.0	35.0	
14-28	強制運轉頻率	0.00~(頻率上限值 00-12)	0.00	
14-29	多泵浦並聯交替時間	0~240	3	
14-30	多泵浦並聯輔助打水偵測時間	0~30.0	0.0	
14-31	多泵浦同步選擇	0：關閉 1：壓力設定及 Run/Stop 同步 2：壓力設定同步 3：Run/Stop 同步	1	
14-34	恆壓誤差範圍 2	當 14-20=0：範圍值 0.00~650.00 當 14-20=1：範圍值 0~100	5	
14-35	多台並聯交換選擇	0：不進行功能 1：計時器交替選擇 2：休眠停止交替選擇 3：計時器與休眠停止交替選擇 4：多台並聯測試模式	1	
14-37	漏水檢測單位時間	0.0~100.0	0.0	
14-38	漏水檢測再啟動壓力變化量	當 14-20=0：範圍值 0.01~65.00 當 14-20=1：範圍值 0~10	1	
14-39	漏水再啟動壓力誤差範圍	當 14-20=0：範圍值 0.00~650.00 當 14-20=1：範圍值 0~100	5	
14-71	壓力設定最大值	0.1~650.00	10	
14-72	並聯交替時間切換	0：小時 1：分鐘	0	
14-73	副機喚醒選擇	0：無效 1：有效	0	
14-74	比例增益 2	0.00~10.00	3.00	◇
14-75	積分時間 2	0.0~100.0	0.5	◇
14-76	微分時間 2	0.00~10.00	0.00	◇
14-77	用水檢測壓力值	0~100	1	◇
14-78	電流限制最大值	0.1~6553.5	6.1	
14-79	電流限制最小值	0.1~6553.5	6.1	
14-80	電流限制累	0~600.0	0	

群組 14 PUMP 參數群組				
代碼	參數名稱	範圍	出廠設定	屬性
	計時間			

** (參數群組 14 僅在 14-00=1 時方可被設定與使用)

註：當 14-00 設定為 1 時，07-12 將同時修改為 0 (V1.13 版後適用)

第 4 異常診斷及保養

41 故障顯示及對策

4.1.1 復歸與自動復歸

無法手動復歸且無法自動復歸的故障	
顯示	對策
-OV-	變頻器送修
-OU-	
-LV-	1. 檢查電源電壓是否正常 2. 換修限流電阻或保險絲 3. 變頻器送修
-LU-	1. 改善通風條件 2. 變頻器送修
-OH-	
-OH-C	1. 改善通風條件 2. 變頻器送修
OH-C	
CtEr	變頻器送修
CTEr	
HPErr	檢查變頻器容量設置 (13-00) 符合硬體電壓等級。
HPErr	
EPr	更換 EEPROM
EP_r	
COt	檢查通訊線路
COt	
Err4	斷電後重新啟動變頻器，如時常發生，請與本公司聯絡
Err4	

可手動復歸及自動復歸的故障	
顯示	對策
OC-A	1. 設定較長的加速時間 2. 更換容量相當的變頻器 3. 檢修馬達 4. 檢查配線 5. 更換 IGBT 模組
OC-A	
OC-C	1. 加大變頻器容量 2. 電源輸入側加裝電抗器
OC-C	
OC-d	設定較長的減速時間
OC-d	
OC-S	1. 檢修馬達 2. 檢查配線 3. 更換 IGBT 模組
OC-S	
OV-C	1. 設定較長的減速時間 2. 外加煞車電阻或煞車模組 3. 電源輸入側加裝電抗器
OU-C	
PF	1. 確認主迴路電源的接線是否發生斷線或接線錯誤 2. 確認端子是否鬆動 3. 確認電源電壓
PF	
LPBFT	1. 檢查回授訊號是否正常。 2. 確認回授壓力是否低於最小壓力限制值(參數 14-15)。
LPbft	
OPBFT	1. 檢查回授訊號是否正確。 2. 確認回授壓力是否高於最大壓力限制值(參數 14-12)。
OPbft	
FBLSS	1. 檢查設立的 14-19 失壓比例是否正確。 2. 確保正確安裝及 PID 回授信號的工作正常。
FbLSS	
可手動復歸的故障但無法自動復歸的故障	
顯示	對策
OC	1. 變頻器送修
OC	
OL1	1. 加大馬達容量
OL1	
OL2	1. 加大變頻器容量
OL2	
CL	1. 檢查負載大小和運轉週期時間。
CL	

可手動復歸及自動復歸的故障	
顯示	對策
LV-C	1.改善電源品質 2.電源輸入側加裝電抗器
LU-C	
OVSP	1.負載是否過重。 2.頻率設定信號是否正確。
OUSP	
OH4	1.改善通風條件 2.調整 08-15 參數
OH4	
OPErr	1.利用本體面板 RESET 鍵 清除故障碼 2.設定 09-02=0~3
OPErr	

4.1.2 按鍵操作錯誤

顯示	對策
LOC	1.參數鎖定(13- 06)設為 0 2.正確使用禁止反轉參數 (11- 00)
LOC	
Err1	1.設定頻率來源為面板 (00- 05/00- 06=0)，才可 由上、下鍵修改頻率。 2.停機後修改此參數。
Err1	
Err2	1.修改 11-08~11-10 或 11-11 2.00- 12>00-13 3.設定 00-05/00-06 或 10-00/10-01 為不同來源 4.設定 01-00=7 5.PTC/AVI 端子不可同時設定 兩種功能；當 6.設定正確的參數密碼
Err2	
Err5	1.通訊前必須先下致能命令 2.通訊前，先設定好參數
Err5	
Err6	1.檢查硬體及配線 2.檢查通訊參數 (09- 00~09- 05)的設定 3.CON2 GND 需接地 4.提高 09-08 次數
Err6	
Err7	復歸變頻器，如仍故障變頻器 送修。
Err7	

4.1.3 特殊情況說明

顯示	說明
StP0	在 V/F 模式，輸出頻率小於 1.3Hz(50Hz 系統)或小於
StP0	

顯示	說明
	1.5Hz(60Hz 系統)，變頻器 會出現 STP0 在 SLV 模式，當輸出頻率 小於 1Hz，變頻器會出現 STP0
StP1	變頻器設定外部運轉(00- 02/00- 03=1)，且直接啟動 功能無效(07- 04=1)時，若 電源投入時，運轉開關放在 導通的位置，則變頻器無法 啟動，此時閃爍 STP1(請參 考 07- 04 說明)。
StP1	
StP2	1. 變頻器設定外部運轉(00- 02/00- 03=1)，若在運轉 中按下鍵盤上的 STOP 鍵，則停止後閃爍 TP2， 必須將運轉開關先關斷再 導通後，才會再啟動。 2. 變頻器處於通訊狀態，若 在運轉中按下鍵盤上的 STOP 鍵則顯示 STP2
StP2	
E.S.	外部緊急停止信號經由多功 能輸入端子輸入時，變頻器 減速停止，停止後閃爍 E.S.
E.S.	
b.b.	外部遮斷信號經由多功能輸 入端子輸入時，變頻器立刻 停止輸出，並閃爍 b.b.
b.b.	
PdEr	PID 回饋信號線路斷線檢 出。
PdEr	
Ater	自學習過程中出現其他故障 代碼。
Ater	
OH3	參數 08-10 = 3 (馬達過熱 時繼續運轉)，當馬達溫度 升高，AVI 電壓准位大於 【08-15 PTC 警告准位】， Keypad 將會顯示 “OH3”Motor Temp Warning，馬達將持續運
OH3	
LOPB	回授訊號未接或由於 PUMP 壓力回授值低於設定最小壓 力限制所導致。
LOPB	
HIPB	由於 PUMP 壓力回授值高 於設定最大壓力限制所導 致。
HIPB	
COPUP	多台聯接 PUMP 通訊有斷 線狀況或無連接上。看是否 有如通訊壞或者沒連接好。
COPUP	

Appendix-A Instructions for UL

◆ Safety Precautions

DANGER

Electrical Shock Hazard

Do not connect or disconnect wiring while the power is on.

Failure to comply will result in death or serious injury.

WARNING

Electrical Shock Hazard

Do not operate equipment with covers removed.

Failure to comply could result in death or serious injury.

The diagrams in this section may show drives without covers or safety shields to show details. Be sure to reinstall covers or shields before operating the drives and run the drives according to the instructions described in this manual.

Always ground the motor-side grounding terminal.

Improper equipment grounding could result in death or serious injury by contacting the motor case.

Do not touch any terminals before the capacitors have fully discharged.

Failure to comply could result in death or serious injury.

Before wiring terminals, disconnect all power to the equipment. The internal capacitor remains charged even after the power supply is turned off. After shutting off the power, wait for at least the amount of time specified on the drive before touching any components.

Do not allow unqualified personnel to perform work on the drive.

Failure to comply could result in death or serious injury.

Installation, maintenance, inspection, and servicing must be performed only by authorized personnel familiar with installation, adjustment, and maintenance of AC drives.

Do not perform work on the drive while wearing loose clothing, jewelry, or lack of eye protection.

Failure to comply could result in death or serious injury.

Remove all metal objects such as watches and rings, secure loose clothing, and wear eye protection before beginning work on the drive.

Do not remove covers or touch circuit boards while the power is on.

Failure to comply could result in death or serious injury.

Fire Hazard

Tighten all terminal screws to the specified tightening torque.

Loose electrical connections could result in death or serious injury by fire due to overheating of electrical connections.

Do not use an improper voltage source.

Failure to comply could result in death or serious injury by fire.

Verify that the rated voltage of the drive matches the voltage of the incoming power supply before applying power.

Do not use improper combustible materials.

Failure to comply could result in death or serious injury by fire.

Attach the drive to metal or other noncombustible material.

NOTICE

Observe proper electrostatic discharge procedures (ESD) when handling the drive and circuit boards.

Failure to comply may result in ESD damage to the drive circuitry.

Never connect or disconnect the motor from the drive while the drive is outputting voltage.

Improper equipment sequencing could result in damage to the drive.

Do not use unshielded cable for control wiring.

Failure to comply may cause electrical interference resulting in poor system performance. Use shielded twisted-pair wires and ground the shield to the ground terminal of the drive.

NOTICE

Do not modify the drive circuitry.

Failure to comply could result in damage to the drive and will void warranty.

Teco is not responsible for any modification of the product made by the user. This product must not be modified.

Check all the wiring to ensure that all connections are correct after installing the drive and connecting any other devices.

Failure to comply could result in damage to the drive.

◆ UL Standards

The UL/cUL mark applies to products in the United States and Canada and it means that UL has performed product testing and evaluation and determined that their stringent standards for product safety have been met. For a product to receive UL certification, all components inside that product must also receive UL certification.



◆ UL Standards Compliance

This drive is tested in accordance with UL standard UL508C and complies with UL requirements. To ensure continued compliance when using this drive in combination with other equipment, meet the following conditions:

■ **Installation Area**

Do not install the drive to an area greater than pollution severity 2 (UL standard).

■ **Main Circuit Terminal Wiring**

UL approval requires crimp terminals when wiring the drive’s main circuit terminals. Use crimping tools as specified by the crimp terminal manufacturer. Teco recommends crimp terminals made by NICHIFU for the insulation cap.

The table below matches drives models with crimp terminals and insulation caps. Orders can be placed with a Teco representative or directly with the Teco sales department.

Closed-Loop Crimp Terminal Size

Drive Model	Wire Gauge						Terminal	Crimp Terminal	Tool	Insulation Cap
	mm ² , (AWG)									
L510s	R/L1	S/L2	T/L3	U/T1	V/T2	W/T3	Screws	Model No.	Machine No.	Model No.
1P2	1.3(16)						M3.5	R2-3.5	Nichifu NH 1 / 9	TIC 2
1P5	2.1 (14)									
101	3.3(12)						M4	R3.5-4	Nichifu NH 1 / 9	TIC 3.5
2P2	1.3(16)						M3.5	R2-3.5	Nichifu NH 1 / 9	TIC 2
2P5	1.3 (16)								Nichifu NH 1 / 9	TIC 2
2P7	2.1(14)								Nichifu NH 1 / 9	TIC 2
201	2.1 (14)								Nichifu NH 1 / 9	TIC 2
202	3.3(12)								M4	R3.5-4
203	5.3(10)						M4	R5.5-4	Nichifu NH 1 / 9	TIC 3.5
205	5.3(10)						M4	R5.5-4	Nichifu NH 1 / 9	TIC 5.5
208/210	8.4 (14)						M5	R8-5	Nichifu NH 1 / 9	TIC 8
401	2.1 (14)						M4	R3.5-4	Nichifu NH 1 / 9	TIC 2
402	2.1 (14)								Nichifu NH 1 / 9	TIC 2
403	2.1 (14)								Nichifu NH 1 / 9	TIC 2
405	2.1(14)								Nichifu NH 1 / 9	TIC 2
408/410/415	8.4 (8)								M5	R8-5

◆ Type 1

During installation, all conduit hole plugs shall be removed, and all conduit holes shall be used.

Recommended Input Fuse Selection

Drive Model L510s	Fuse Type	
	Manufacturer: Bussmann	
	Model	Fuse Ampere Rating (A)
100 V Class Single-Phase Drives		
1P2	Bussmann 16CT	690V 16A
1P5	Bussmann 20CT	690V 20A
101	Bussmann 25ET	690V 25A

Drive Model L510s	Fuse Type	
	Manufacturer: Bussmann	
	Model	Fuse Ampere Rating (A)
200 V Class Single-Phase Drives		
2P2	Bussmann 10CT	690V 10A
2P5	Bussmann 10CT/16CT	690V 10A / 690V 16A
2P7	Bussmann 16CT/20CT	690V 16A / 690V 20A
201	Bussmann 16CT/20CT	690V 16A / 690V 20A
202	Bussmann 30FE	690V 30A
203	Bussmann 50FE	690V 50A

Drive Model L510s	Fuse Type	
	Manufacturer: Bussmann	
	Model	Fuse Ampere Rating (A)
200 V Class Three-Phase Drives		
2P2	Bussmann 10CT	690V 10A
2P5	Bussmann 10CT	690V 10A
201	Bussmann 10CT	690V 10A
202	Bussmann 16CT	690V 16A
203	Bussmann 20CT	690V 20A
205	Bussmann 50FE	690V 50A
208	Bussmann 63CT/100FE	690V 63A
210	Bussmann 80CT/100FE	690V 80A/690V 100A

Drive Model L510s	Fuse Type	
	Manufacturer: Bussmann	
	Model	Fuse Ampere Rating (A)
400 V Class Three-Phase Drives		
401	Bussmann 10CT	690V10A
402	Bussmann 16CT	690V 16A
403	Bussmann 20CT	690V 20A
405	Bussmann 25ET	690V 25A
408	Bussmann 40FE	690V 40A
410	Bussmann 50ET	690V 50A
415	Bussmann 63ET	690V 63A

◆ **Motor Over temperature Protection**

Motor over temperature protection is not provided.
 Motor over temperature protection shall be provided in the end use application.

■ **Field Wiring Terminals**

All input and output field wiring terminals not located within the motor circuit shall be marked to indicate the proper connections that are to be made to each terminal and indicate that copper conductors, rated 80°C are to be used.

■ **Drive Short-Circuit Rating**

This drive has undergone the UL short-circuit test, which certifies that during a short circuit in the power supply the current flow will not rise above value. Please see electrical ratings for maximum voltage and table below for current.

- The MCCB and breaker protection and fuse ratings (refer to the preceding table) shall be equal to or greater than the short-circuit tolerance of the power supply being used.
- Suitable for use on a circuit capable of delivering not more than (A) RMS symmetrical amperes for (Hp) Hp in 240 / 480 V class drives motor ■ overload protection.

Horse Power (Hp)	Current (A)	Voltage (V)
0 - 50	5,000	240 / 480

◆ **Drive Motor Overload Protection**

Set parameter 02-01 (motor rated current) to the appropriate value to enable motor overload protection. The internal motor overload protection is UL listed and in accordance with the NEC and CEC.

■ **02-01 Motor Rated Current**

Setting Range: Model Dependent
 Factory Default: Model Dependent

Set 02-01 to the full load amps (FLA) stamped on the nameplate of the motor.

■ **08-05 Motor Overload Protection Selection**

The drive has an electronic overload protection function (OL1) based on time, output current, and output frequency, which protects the motor from overheating. The electronic thermal overload function is UL-recognized, so it does not require an external thermal overload relay for single motor operation.

This parameter selects the motor overload curve used according to the type of motor applied.

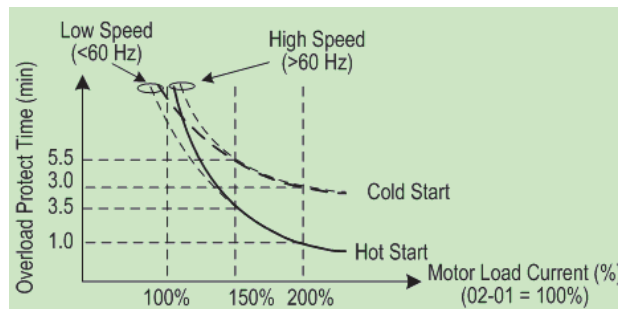
Overload Protection Settings

Setting	Description
XXXX0	Disabled
XXXX1	Enabled

Sets the motor overload protection function in 08-05 according to the applicable motor.

Setting 08-05 = XXXX0. Disables the motor overload protection function when two or more motors are connected to a single inverter. Use an alternative method to provide separate overload protection for each motor such as connecting a thermal overload relay to the power line of each motor.

■





Motor Overload Protection Time

■ **08-06 Motor Overload Operation Selection**

Setting	Description
0	Free Run to Stop (default setting)
1	Alarm Only

Préface

- ◆ Le produit est un lecteur conçu pour commander un moteur à induction triphasé. lire attentivement ce manuel pour garantir le bon fonctionnement, la sécurité et pour se familiariser avec les fonctions d'entraînement.
- ◆ Le lecteur est un appareil électrique / électronique et doit être installé et géré par un personnel qualifié
- ◆ Une mauvaise manipulation peut entraîner un fonctionnement incorrect, cycle de vie plus court, ou l'échec de ce produit ainsi que le moteur.
- ◆ Tous les documents sont sujets à changement sans préavis. Soyez sûr d'obtenir les dernières éditions de l'utilisation ou visitez notre site Web
- ◆ Lire le manuel d'instructions avant de procéder à l'installation, les connexions (câblage), le fonctionnement ou l'entretien et l'inspection.
- ◆ Vérifiez que vous avez une bonne connaissance de l'entraînement et de vous familiariser avec les consignes de sécurité et les précautions avant de procéder à fonctionner le lecteur.
- ◆ prêter attention aux consignes de sécurité indiquées par l'avertissement  et symbole Attention .

Avertissement

ignorer les informations indiquées par le symbole d'avertissement peut entraîner la mort ou des blessures graves.

Attention

ignorer les informations indiquées par le symbole de mise en garde peut entraîner des blessures mineures ou modérées et / ou des dommages matériels importants.

Chapitre 1 Consignes de sécurité

1.1 avant d'alimenter le disque dur

Avertissement

- Le circuit principal doit être correctement câblée. Pour les terminaux monophasés d'approvisionnement de l'utilisation des intrants (R/L1, T/L3) et de trois bornes d'entrée de l'utilisation de l'offre de phase (R/L1, S/L2, T/L3). U/T1, V/T2, W/T3 ne doivent être utilisés pour connecter le moteur. Raccordement de l'alimentation d'entrée à l'un des U/T1, V/T2 W/T3 ou bornes risque d'endommager le lecteur.

Attention

- Pour éviter que le couvercle ne se désengage ou de tout autre dommage physique, ne portez pas le lecteur par son couverture. Soutenir le groupe par son dissipateur de chaleur lors du transport. Une mauvaise manipulation peut endommager le lecteur ou blesser le personnel, et doit être évitée.
- Pour éviter que les risques d'incendie, ne pas installer le lecteur sur ou à proximité d'objets inflammables. Installer sur des objets ininflammables comme les surfaces métalliques.
- Si plusieurs disques sont placés dans le même panneau de contrôle, fournir une ventilation adéquate pour maintenir la température en dessous de 40 ° C/104 ° F (50 ° C/122 ° F sans housse de protection) pour éviter la surchauffe ou incendie.
Lors d'un retrait ou d'installation de l'opérateur numérique, éteignez-le d'abord, puis de suivre les instructions de ce manuel pour éviter les erreurs de l'opérateur ou de la perte de l'affichage causé par des connexions défectueuses.

Avertissement

- Lors d'un retrait ou d'installation de l'opérateur numérique, éteignez-le d'abord, puis de suivre les instructions de ce manuel pour éviter les erreurs de l'opérateur ou de la perte de l'affichage causé par des connexions défectueuses....

1.2 Câblage



Avertissement

- Coupez toujours l'alimentation électrique avant de procéder à l'installation d'entraînement et le câblage des terminaux utilisateurs.
- Le câblage doit être effectué par un personnel qualifié / électricien certifié.
- Assurez-vous que le lecteur est correctement mis à la terre. (220V Classe: impédance de mise à la terre doit être inférieure à 100Ω Classe 440V: Impédance de mise à la terre doit être inférieure à 10Ω.)
- vérifier et tester mes circuits d'arrêt d'urgence après le câblage. (L'Installateur est responsable du câblage.)
- Ne touchez jamais de l'entrée ou de lignes électriques de sortie permettant directement ou toute entrée ou de lignes de puissance de sortie à venir en contact avec le boîtier d'entraînement.
- Ne pas effectuer un test de tenue en tension diélectrique (mégohmmètre) sur le disque dur ou cela va entraîner des dommages de lecture pour les composants semi-conducteurs.



Attention

- La tension d'alimentation appliquée doit se conformer à la tension d'entrée spécifiée par le lecteur. (Voir la section signalétique du produit)
- Raccorder la résistance de freinage et de l'unité de freinage sur les bornes assignées.
- Ne pas brancher une résistance de freinage directement sur les bornes CC P (+) et N (-), sinon risque d'incendie.
- Utilisez des recommandations de la jauge de fil et les spécifications de couple. (Voir Wire Gauge et la section de spécification de couple) ◦
- Ne jamais brancher l'alimentation d'entrée aux bornes onduleur de sortie U/T1, V/T2, W/T3.
- Ne pas brancher un contacteur ou interrupteur en série avec le variateur et le moteur.
- Ne branchez pas un facteur condensateur de correction de puissance ou suppresseur de tension à la sortie du variateur ◦
- S'assurer que l'interférence générée par l'entraînement et le moteur n'a pas d'incidence sur les périphériques.

1.3 Avant l'opération



Avertissement

- Assurez-vous que la capacité du disque correspond aux paramètres de notation avant d'alimenter.
- Réduire le paramètre de la fréquence porteuse si le câble du variateur au moteur est supérieure à 80 pi (25 m). Un courant de haute fréquence peut être générée par la capacité parasite entre les câbles et entraîner un déclenchement de surintensité du variateur, une augmentation du courant ou d'une lecture actuelle inexacts.
- Veillez à installer tous les couvercles avant de l'allumer. Ne retirez pas les capots pendant que l'alimentation du lecteur est allumé, un choc électrique peut se produire autrement.
- Ne pas actionner d'interrupteurs avec les mains mouillées, un choc électrique pourrait survenir autrement.
- Ne touchez pas les bornes d'entraînement lorsqu'il est alimenté, même si le lecteur est arrêté, un choc électrique pourrait survenir autrement.

1.4 Configuration Paramètre



Attention

- Ne branchez pas une charge pour le moteur tout en effectuant un auto-tune.
- Assurez-vous que le moteur peut fonctionner librement et il y a suffisamment d'espace autour du moteur lors de l'exécution d'un auto-tune rotation.

1.5 Opération




Avertissement

- Veillez à installer tous les couvercles avant de l'allumer. Ne retirez pas les capots

pendant que l'alimentation du lecteur est allumé, un choc électrique peut se produire autrement.

- Ne pas brancher ou débrancher le moteur pendant le fonctionnement. Le variateur pourra se déclencher et ainsi endommager le lecteur.
- Les opérations peuvent commencer soudainement si une alarme ou un défaut est réarmé avec un ordre de marche active. Assurez-vous qu'un ordre de marche est actif lors de la réinitialisation de l'alarme ou de défaut, autrement des accidents peuvent se produire.
- Ne pas actionner d'interrupteurs avec les mains mouillées, un choc électrique pourrait survenir .
- Un interrupteur d'urgence externe indépendant est fourni, qui s'arrête en urgence vers le bas la sortie de l'onduleur en cas de danger.
- Si le redémarrage automatique après une récupération d'énergie est activée, le variateur démarrera automatiquement après le rétablissement du courant.
- Assurez-vous qu'il est sûr de faire fonctionner le variateur et le moteur avant d'effectuer un auto-tune rotation.
- Ne touchez pas les bornes d'entraînement lorsqu'il est alimenté même si l'onduleur s'est arrêté, un choc électrique pourrait survenir .
- Ne pas contrôler les signaux sur les circuits pendant que le lecteur est en marche.
- Après la mise hors tension, le ventilateur de refroidissement peut continuer à fonctionner pendant un certain temps.

Attention

- Ne touchez pas les composants générant de la chaleur tels que radiateurs et des résistances de freinage. 
- Vérifiez soigneusement la performance du moteur ou de la machine avant d'utiliser à grande vitesse, sous peine de blessure.
- Notez les réglages des paramètres liés à l'unité de freinage lorsque applicable.
- Ne pas utiliser la fonction de freinage d'entraînement pour un maintien mécanique, sous peine de blessure.
- Ne pas contrôler les signaux sur les circuits pendant que le lecteur est en marche.

1.6 Entretien, Inspection et remplacement

Avertissement

- Attendre un minimum de 5 minutes après que l'alimentation a été débranchée avant de commencer une inspection. Vérifiez également que le voyant de charge est éteint et que la tension du bus cc a chuté au-dessous de 25Vdc.
- Ne jamais toucher les bornes à haute tension dans le lecteur.
- Assurez-vous que l'alimentation du lecteur est débranché avant de démonter le lecteur.
- Seul le personnel autorisé peuvent faire l'entretien, l'inspection et les opérations de remplacement. (Enlevez les bijoux en métal tels que les montres et les bagues et utiliser des outils isolés.)

Attention

- Le variateur peut être utilisé dans un environnement avec une gamme de température allant de 14 ° -104 ° F (10-40 ° C) et l'humidité relative de 95% sans condensation.
- Le variateur doit être utilisé dans un environnement sans poussière, gaz, vapeur et humidité.

1.7 Mise au rebut du variateur

Attention

- jeter cet appareil avec soin comme un déchet industriel et selon les réglementations locales nécessaires.
- Les condensateurs du circuit principal d'entraînement et circuits imprimés sont considérés comme des déchets dangereux et ne doivent pas être brûlés.
- The Plastic enclosure and parts of the drive such as the top cover board will release harmful gases if burned.

產品說明書附件

產品中的有害物質的名稱及含量

部件名稱		有毒有害物質或元素					
		鉛及其化合物 (Pb)	汞及其化合物 (Hg)	鎘及其化合物 (Cd)	六價鉻化合物 (Cr(VI))	多溴聯苯 (PBB)	多溴二苯醚 (PBDE)
電子部件	電子元器件	X	O	O	O	O	O
	電磁接觸器	O	O	X	O	O	O
顯示器		O	O	O	O	O	O
電線和電纜	接線端子	X	O	O	O	O	O
	導線	O	O	O	O	O	O
	絕緣部件	O	O	O	O	O	O
機械部件	導電銅柱、風扇、 溫控開關	X	O	O	O	O	O
	其他	O	O	O	O	O	O

本表格依據 SJ/T 11364 的規定編制。

O：表示該有毒有害物質在該部件所有均質材料中的含量均在 GB/T 26572 規定的限量要求以下。

X：表示該有毒有害物質至少在該部件的某一均質材料中的含量超出 GB/T 26572 標準規定的限量要求。

主要部件名稱中的部件定義：

電子部件 - 包括電子元件、焊接印刷電路板等。

顯示器 - 包括顯示單元、電子元器件或觸控式螢幕。

電線和電纜 - 包括終端、接線、遮罩線、護套以及電子部件。

機械部件 - 除已定義電子部件、顯示器、電線和電纜以外的部件。

超限說明：

電子元器件：部分電子元器件中鉛含量超過 1000ppm 但符合歐盟 RoHS 指令豁免條例

7 (a)：高熔融溫度型焊料中的鉛（例如：鉛基合金中鉛含量 \geq 85 %）；

7 (c) -I：電子器件的玻璃或陶瓷（電容中介電陶瓷除外）中的鉛，或玻璃或陶瓷複合材料中的鉛（例如：壓電陶瓷器件）

電磁接觸器：部分電磁接觸器中鎘含量超過 100ppm 符合歐盟 RoHS 指令豁免條例

8 (b) 鎘及其化合物，用於電子觸點。

接線端子、導電銅柱、風扇、溫控開關：電線和電纜、機械部件中某些組成部分可能鉛含量超過 1000ppm 但符合歐盟 RoHS 指令豁免條例

6 (a) 鉛作為一種合金元素，在用於加工的鋼和鍍鋅鋼中鉛含量不超過 0.35% (Wt)；

6 (b) 鋁合金中的鉛含量最大容許濃度為 0.4%；

6 (c) 銅合金中的鉛含量最大容許濃度為 4%；

環保使用期限說明：

在環保使用期限內，消費者在正常使用過程中，本產品不會出現有害物質洩漏，析出等影響消費者健康的問題，可以放心使用。

本公司產品環保使用期限為 10 年，只有在本說明書所述的正常情況下使用本產品時，“環保使用期限”才有效。



免責聲明：由本公司所提供的關於其產品中所含物質含量的資訊，僅代表本公司在提供該資訊之時對該產品的瞭解和知識。本公司的這些知識和瞭解是基於由協力廠商提供的資訊為基礎的，而本公司無法承諾也無法保證該等協力廠商資訊的準確性。本公司可能沒有就所採用的材料或化學品進行破壞性測試或化學分析。上述產品的使用和本公司的相關責任，應以本公司的標準合同條款為準。



Manufacturer's Statement for L510s series

L510s efficiency according to IEC/EN 61800-9-2

Drive models: L510s series, please refer to the table below for the model list

Efficiency class: IE2

Nominal voltage: Please refer to the tabel below

Nominal frequency: 50Hz

Nominal power: Please refer to the tabel below

Motor control: V/f, vector

Nominal current: Please refer to the table below

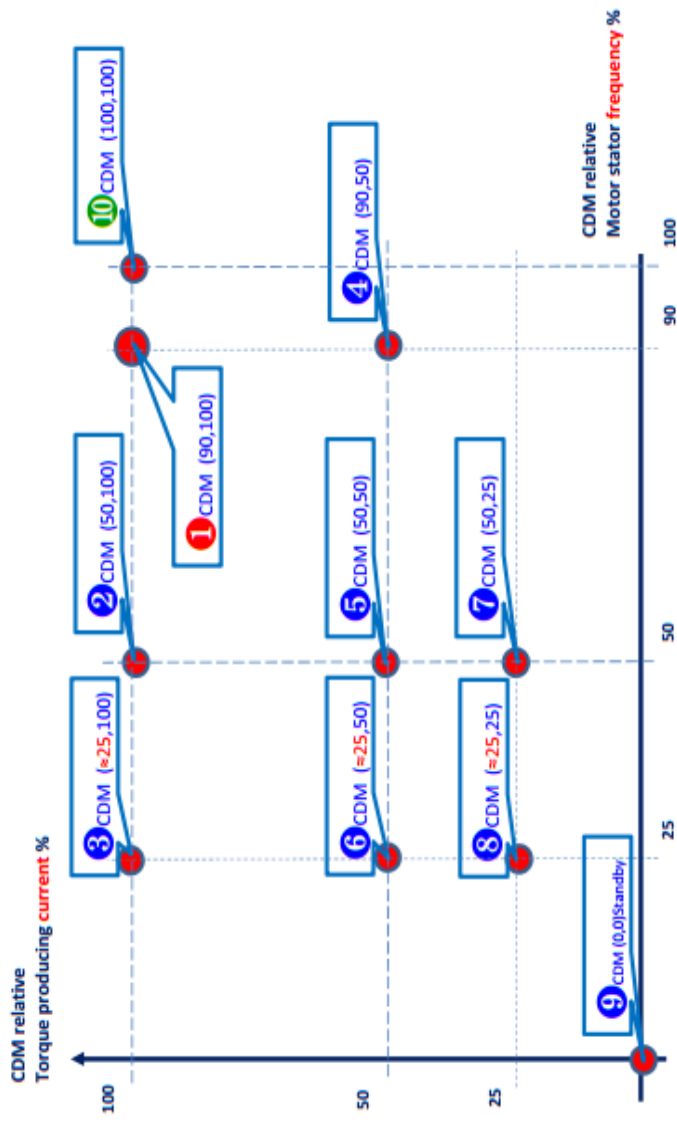
Nominal apparent power: Please refer to the table below

Maximum operating temperature: 50°C for frame 2~4,

40°C for frame 1

CDM losses and efficiency (calculated with default

settings) point: As the picture right



Manufacturer: TECO Electric & Machinery CO., LTD. — 10F, No.3-1, Park St., Nan-Kang, Taipei, 115603, Taiwan

EU contact: MOTOVARIO S.p.A — Via Quattro Passi 1/3 — 41043 — Formigine (MO) — ITALY. MOTOVARIO EORI number: IT02569681204

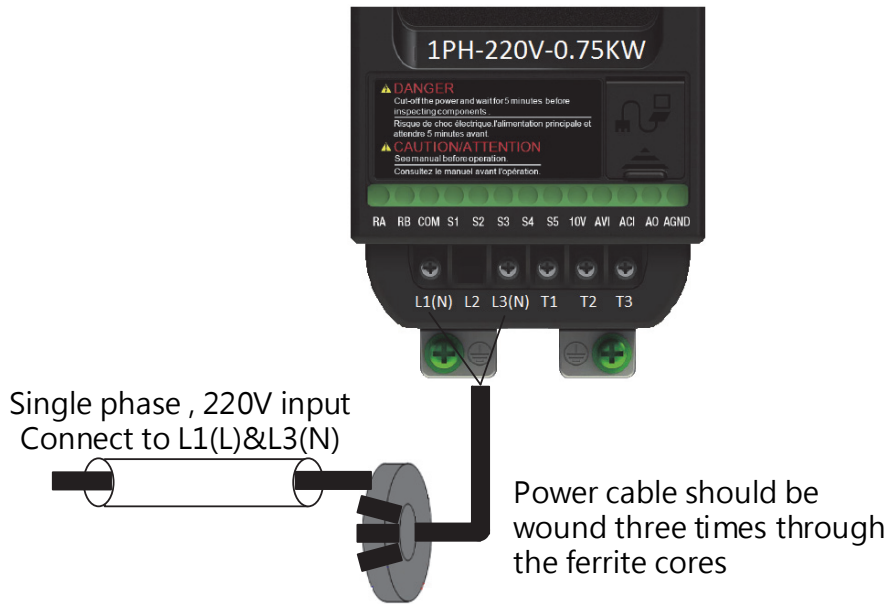
CDM losses and efficiency table

Frame Model	Nominal voltage (V)	Nominal current (A)	Nominal power (kW)	Nominal apparent power (KVA)	⑨		⑧		⑥		③		⑦		⑤		②		④		①		⑩	
					p Loss(W)	η(%)	p Loss(W)	η(%)	p Loss(W)	η(%)	p Loss(W)	η(%)	p Loss(W)	η(%)	p Loss(W)	η(%)	p Loss(W)	η(%)	p Loss(W)	η(%)	p Loss(W)	η(%)	p Loss(W)	η(%)
110V 1phase																								
1	L510-1P2-SH1-X	110	1.8	0.2	0.7	8.0	14	60.7	15	69.9	17	78.1	15	75.5	16	81.9	19	86.9	18	87.5	24	90.3	26	90.6
1	L510-1P5-SH1-X	110	2.6	0.4	1.0	8.0	19	62.9	19	71.7	23	78.9	20	76.9	21	82.9	27	87.1	26	87.8	36	89.9	40	90.2
2	L510-101-SH1-X	110	4.3	0.75	1.7	11.0	24	64.6	28	75.2	37	80.7	25	78.3	31	85.1	44	88.0	38	89.2	63	90.2	69	90.3
220V 1phase																								
1	L510-2P2-SH1(F)-X	220	1.8	0.2	0.7	8.0	15	74.6	15	81.6	18	87.2	15	85.6	16	89.8	19	93.0	18	93.6	28	94.1	23	95.6
1	L510-2P5-SH1(F)-X	220	2.6	0.4	1.0	8.0	20	76.3	20	82.8	24	87.7	21	86.6	21	90.5	26	93.2	24	93.9	32	95.3	34	95.6
1	L510-201-SH1(F)-X	220	4.3	0.75	1.7	8.0	23	79.4	27	86.3	36	89.5	23	88.5	28	92.5	41	94.1	33	95.0	51	95.8	55	96.0
2	L510-202-SH1(F)-X	220	7.5	1.5	3.0	11.0	35	81.2	42	87.5	58	90.3	36	89.6	45	93.1	66	94.4	53	95.3	102	95.2	93	96.1
2	L510-203-SH1(F)-X	220	10.5	2.2	4.0	11.0	50	80.9	61	87.1	86	89.8	52	89.4	66	92.8	99	94.1	80	95.0	152	94.9	144	95.6
440V 3phase																								
2	L510-401-SH3(F)-X	380	2.3	0.75	1.7	13.9	25	76.4	27	84.9	34	89.5	25	87.0	28	92.0	35	94.5	29	95.3	37	96.7	37	97.0
2	L510-402-SH3(F)-X	380	3.8	1.5	2.9	13.9	33	80.0	38	87.0	50	90.5	34	89.2	39	93.2	52	95.0	41	95.9	66	96.4	56	97.2
2	L510-403-SH3(F)-X	380	5.2	2.2	4.0	13.9	36	83.3	42	89.2	57	92.0	37	91.1	44	94.4	59	95.8	46	96.6	64	97.4	65	97.6
3	L510-405-SH3(F)	380	9.2	3.7	7.0	16.9	58	84.6	70	89.9	96	92.3	60	91.8	72	94.7	100	96.0	76	96.8	108	97.5	111	97.7
3	L510-408-SH3(F)	380	13	5.5	9.9	16.9	60	88.4	77	92.0	125	93.3	62	93.9	81	95.8	137	96.4	91	97.3	165	97.5	174	97.7
4	L510-410-SH3(F)	380	17.5	7.5	13.3	25.9	94	86.6	121	90.7	198	92.2	97	92.9	128	95.1	216	95.8	142	96.9	258	97.2	271	97.3
4	L510-415-SH3(F)	380	24	11	18.3	25.9	120	87.5	157	91.2	265	92.4	124	93.37	166	95.3	291	95.8	188	97.0	359	97.1	382	97.2
220V 3phase																								
1	L510-2P2-SH3-X	220	1.8	0.2	0.7	8.0	15	74.7	15	81.6	17	87.3	15	86	16	90.0	18	93.2	17	93.9	20	95.8	20	96.1
1	L510-2P5-SH3-X	220	2.6	0.4	1.0	8.0	20	76.4	20	82.9	24	87.8	20	87	21	90.7	25	93.5	22	94.3	28	95.9	29	96.2
1	L510-201-SH3-X	220	4.3	0.75	1.7	8.0	22	79.4	26	86.4	36	89.6	23	89	28	92.7	39	94.4	30	95.4	44	96.4	46	96.6
2	L510-202-SH3-X	220	7.5	1.5	3.0	11.0	35	81.3	41	87.6	57	90.4	36	90	44	93.3	62	94.8	48	95.8	73	96.5	77	96.7
2	L510-203-SH3-X	220	10.5	2.2	4.0	11.0	50	81.0	60	87.2	84	90.0	51	90	63	93.1	92	94.5	70	95.6	109	96.3	114	96.5
3	L510-205-SH3	220	17.5	3.7	6.7	11.9	58	85.9	70	90.6	100	92.7	60	92	75	95.0	110	96.0	84	96.8	128	97.4	134	97.5
4	L510-208-SH3	220	26	5.5	9.9	23.0	78	87.1	100	91.0	164	92.5	81	93	107	95.2	183	95.8	123	96.9	231	97.0	246	97.2
4	L510-210-SH3	220	35	7.5	13.3	23.0	104	87.2	137	90.9	235	92.1	108	93	146	95.1	261	95.6	169	96.8	310	97.1	348	97.0

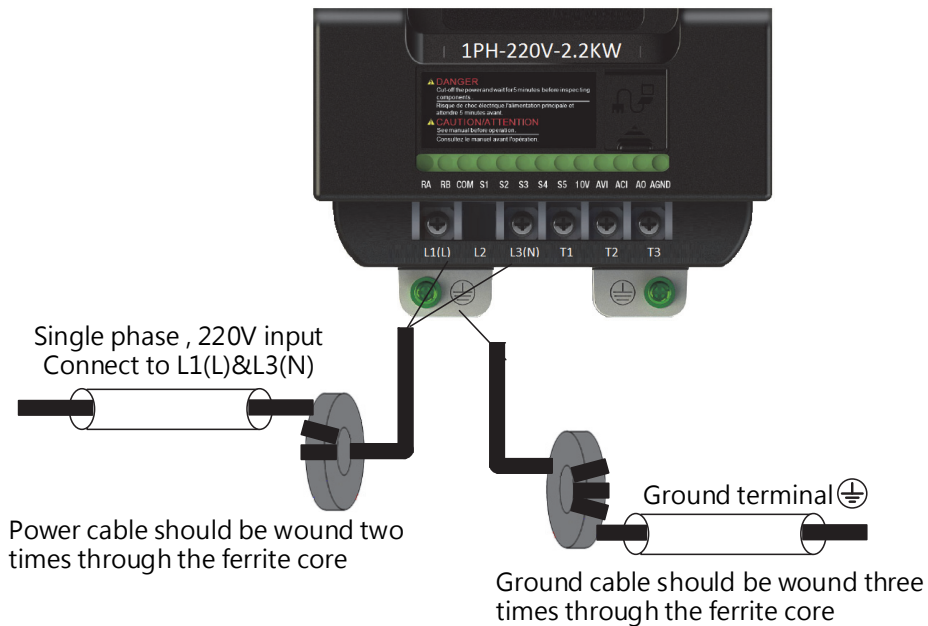
L510s EMC Ferrite Core Installation

In order to comply with EMC requirements, install the supplied ferrite cores as shown below :

Suitable for 2P2/2P5/201 (frame 1 models)



Suitable for 202/203 (frame 2 models)



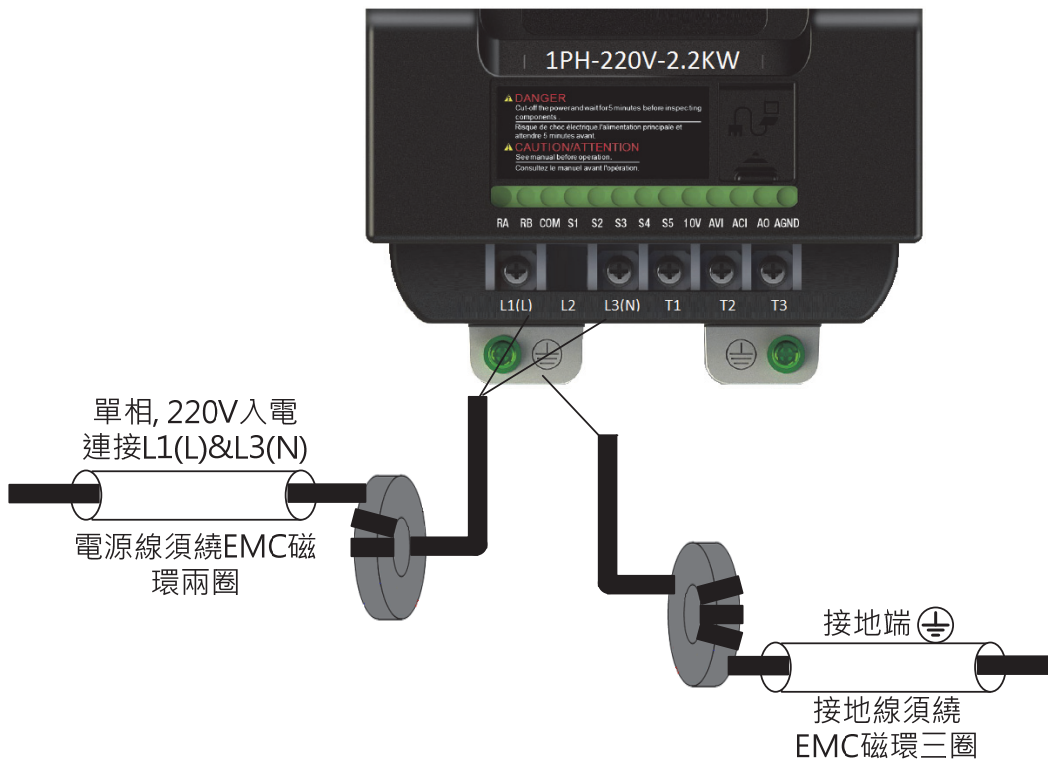
L510s EMC 磁環安裝說明

為了符合 EMC 要求，請依照下列說明之安裝方式進行 EMC 磁環的安裝

適用機種：2P2/2P5/201 (框號一機種)



適用機種：202/203 (框號二機種)





TECO Electric & Machinery Co., Ltd.

東元電機股份有限公司

10F., No.3-1, Park St., Nangang District,

Taipei City 115, Taiwan

115台北市南港區園區街3-1號10樓

Tel :+886-2-6615-9111

Fax :+886-2-6615-0933

Distributor

<http://industrialproducts.teco.com.tw/>

4KA72X473T81 Ver:09 2021.09

Please link to our website, to download the instruction manual of this product for proper use.

請連結至本公司官網，下載使用說明書，以能正確的使用本產品。

This manual may be modified when necessary because of improvement of the product, modification, or changes in specifications, This manual is subject to change without notice.

為持續改善產品，本公司保留變更設計規格之權利。



中文



English